

RM93 illuminated blade

order sequence information

RM93-

example **1** RM93 - 48 **2** 40 **3** 3000 **4** PND-SL **5** GRY **6** -

PROJECT: _____ TYPE: _____

DATE: _____

1 CAT NO.	DESCRIPTION
RM93-24	24" long, 1,100 delivered lumens, 14 watts
RM93-36	36" long, 1,650 delivered lumens, 20 watts
RM93-48	48" long, 2,200 delivered lumens, 26 watts
RM93-72	72" long, 3,300 delivered lumens, 40 watts
RM93-96	96" long, 4,400 delivered lumens, 52 watts
RM93HO-24	24" long, 1,915 delivered lumens, 28 watts
RM93HO-36	36" long, 2,870 delivered lumens, 40 watts
RM93HO-48	48" long, 3,830 delivered lumens, 52 watts
RM93HO-72	72" long, 5,745 delivered lumens, 78 watts
RM93HO-96	96" long, 7,660 delivered lumens, 106 watts

* LEDs are Luxeon XF-3535L. Drivers are Class 2, 120-277 volt, and include two wire 0-10v dimming, 1-100%.

* other lengths available upon request



2 BLADE HEIGHT	
30	2.7 inches, clear cast acrylic with frosted edges
40	3.7 inches, clear cast acrylic with frosted edges

3 LED COLOR TEMP	
2700	2700°K CRI >80
3000	3000°K CRI >80
3500	3500°K CRI >80
4000	4000°K CRI >80

4 MOUNTING CONFIGURATION	
REC	recessed with perimeter trim flange, IC rated
TBR	T - bar, includes 2 tie down brackets, IC rated
SRF	surface mount with solid end caps
PND-WH	pendant mount with solid end caps, two 5" square white canopies, 100" adjustable cables and a 5 wire, white cord.
PND-SL	pendant mount with solid end caps, two 5" square white canopies, 100" adjustable cables and a 5 wire, silver metal braid SJT cord.
PND-BL	pendant mount with solid end caps, two 5" square black canopies, 100" adjustable cables and a 5 wire, black cord.

5 COLOR	
WHT	Matte white powder coat
GRY	Matte gray (RAL7035) powder coat
BLK	Satin black powder coat
RAL	Specify 4 digit RAL color number

6 OPTIONS	
RGBW-SA	RGB plus 2700K white LEDs. Stand alone control system requires no extra wiring. Hand held remote included and phone App available.
RGBW-DMX	RGB plus 2700K white LEDs. Includes decoder for 5 pin socket to connect to a DMX control system.
CNTRW	Continuous rows. Contact factory to configure row lengths and a component list. Maximum blade length is 95". Continuous row fixtures have a one inch gap between blades.
ENGRV	Engraved acrylic blade per supplied artwork. Contact factory to specify details.

Housing and blade rail:

Extruded aluminum.

Lens:

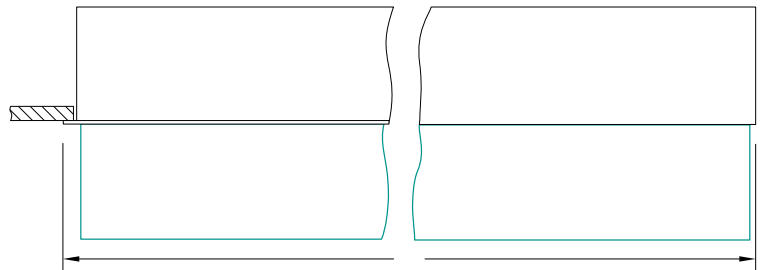
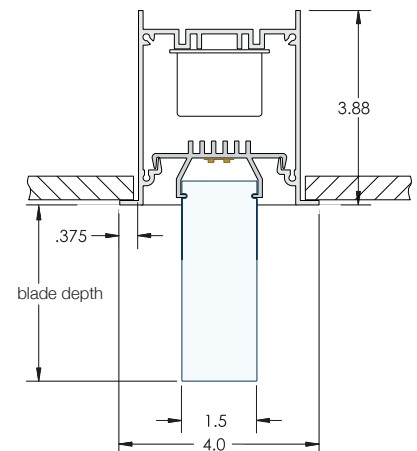
Cast clear acrylic with frosted edges.

Certification:

UL listed. Recessed models rated for IC ceilings.

Warranty:

5 year limited warranty.



RECESSED AND T-BAR LENGTHS		SURFACE AND PENDANT LENGTHS	
RM93-24	23.75"	RM93-24	23.5"
RM93-36	35.75"	RM93-36	35.5"
RM93-48	47.75"	RM93-48	47.5"
RM93-96	95.75"	RM93-96	95.5"

* other lengths available upon request