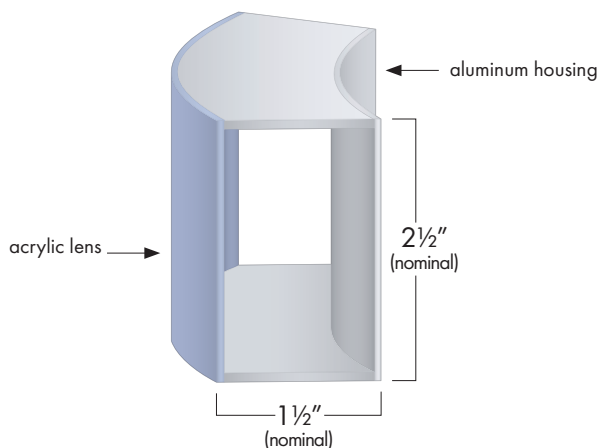
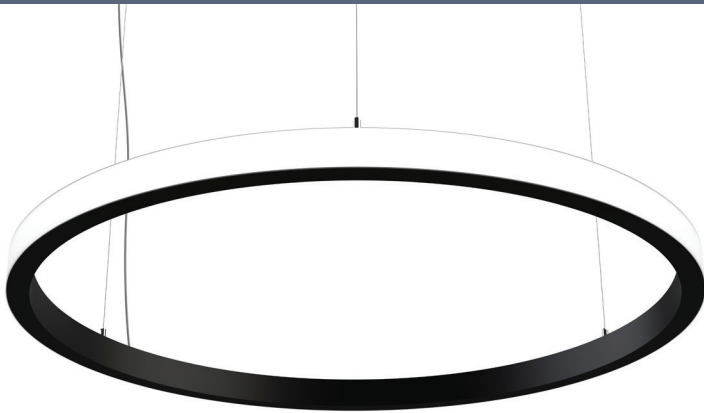




SLENDER RING WITH 360°
VIBRANT OUTER GLOW



Features

- Diameter:** 24" to 120" (nominal)
- Output:** 98 LPW
- Housing:** Aluminum
- Lens:** Transmissive, frosted acrylic
- Mounting:** Pendant or surface
- Driver:** Inside canopy or remote
- Weight:** 3 lb/ft (based on Ø)
- Certification:** UL listed for damp location use
- Warranty:** 5-year limited warranty
- Photometry:** Third-party photometric report and IES files on the website

- Power-over-Cable option
- Mounting for multi-ring clusters
- RGB+W in standard lumen output range
- Acoustic options available

Project: _____ Type: _____ Date: _____

Order: _____

Example: MOD - RPM-OWL - 48 - MD9500LM - 940 - DIM - MCC - ASL - SCC - RMT

Order Guide



<p>24</p> <p>36</p> <p>48</p> <p>60</p> <p>72</p> <p>84</p> <p>96</p> <p>108</p> <p>120</p>	<p>SO standard 595 lm/ft</p> <p>HO high 1186 lm/ft</p> <p>MD modify lumens and watts (consult factory)</p>	<p>Static White</p> <p>830 CRI >80 3000°K</p> <p>835 CRI >80 3500°K</p> <p>840 CRI >80 4000°K</p> <p>930 CRI >90 3000°K</p> <p>935 CRI >90 3500°K</p> <p>940 CRI >90 4000°K</p> <p>Dynamic White</p> <p>TW tunable white 2700-6500°K</p> <p>WD warm dim 2200-3500°K</p> <p>Red, Green, Blue + White</p> <p>RGBW30 RGB+W 3000°K</p> <p>RGBW35 RGB+W 3500°K</p> <p>RGBW40 RGB+W 4000°K</p> <p>(consult for TW, WD & RGB+W)</p>	<p>120-277 VAC</p> <p>DIM 0-10 V/1%</p> <p>DIM.1 0-10 V/.1%</p> <p>DAL DALI</p> <p>DMX Digital Multiplex (consult factory)</p> <p>120 VAC</p> <p>TRC TRIAC/ ELV</p>	<p>Pendant</p> <p>SPC single point canopies</p> <p>MCC multi-cable center canopy</p> <p>MRC multi-ring cluster (consult for submittals)</p> <p>Power-over-Cable (PoC)</p> <p>MCC-POC Power-over-Cable with multi-cable center canopy (consult for submittals)</p> <p>Surface</p> <p>SRF surface mount (1" stand-off)</p>
------------------------------------------------------------------------------------------------------------------------------------------------------------	-------------------------------------------------------------------------------------------------------------------------------------------------	--------------------------------------------------------------------------------------------------------------------------------------------------------------------------------------------------------------------------------------------------------------------------------------------------------------------------------------------------------------------------------------------------------------------------------------------------------------------------------------------------------------------------------------------------------------	--------------------------------------------------------------------------------------------------------------------------------------------------------------------------------------------------------------------------	--------------------------------------------------------------------------------------------------------------------------------------------------------------------------------------------------------------------------------------------------------------------------------------------------------------------------------------------------------------------------------------------------



<p>Powder Coat*</p> <p>WHT matte white</p> <p>BLK matte black</p> <p>ASL anodized silver</p> <p>GRY matte gray (RAL 7035)</p> <p>RALX matte RAL color X=code (specify)</p> <p>CCL custom color (provide chip)</p> <p>Wood Grain*</p> <p>WG1 ash</p> <p>WG2 teak</p> <p>WG3 walnut</p> <p>WG4 zebrawood</p> <p>Skin*</p> <p>CFS carbon fiber</p> <p>*inner wall only</p>	<p>Powder Coat</p> <table border="1"> <thead> <tr> <th>Standard</th> <th>Canopy Color</th> <th>Cord Color</th> </tr> </thead> <tbody> <tr> <td>WCC</td> <td>white</td> <td>white</td> </tr> <tr> <td>BCC</td> <td>black</td> <td>black</td> </tr> <tr> <td>SCC</td> <td>silver</td> <td>silver</td> </tr> <tr> <td>MBC</td> <td>white</td> <td>silver</td> </tr> <tr> <td>RAL</td> <td></td> <td></td> </tr> <tr> <td>RCW</td> <td>RALX</td> <td>white</td> </tr> <tr> <td>RCB</td> <td>RALX</td> <td>black</td> </tr> <tr> <td>RCS</td> <td>RALX</td> <td>silver</td> </tr> <tr> <td>Custom</td> <td></td> <td></td> </tr> <tr> <td>CCW</td> <td>CCL</td> <td>white</td> </tr> <tr> <td>CCB</td> <td>CCL</td> <td>black</td> </tr> <tr> <td>CCS</td> <td>CCL</td> <td>silver</td> </tr> </tbody> </table>	Standard	Canopy Color	Cord Color	WCC	white	white	BCC	black	black	SCC	silver	silver	MBC	white	silver	RAL			RCW	RALX	white	RCB	RALX	black	RCS	RALX	silver	Custom			CCW	CCL	white	CCB	CCL	black	CCS	CCL	silver	<p>RMT remote driver</p> <p>BBU remote battery backup with remote driver</p>	<p>Panel*</p> <p>FPL light gray</p> <p>FPD dark gray</p> <p>FPB blue</p> <p>FPG green</p> <p>FPY yellow</p> <p>FPR red</p> <p>* max Ø = 48"</p> <p>Skin**</p> <p>FSL light gray</p> <p>FSD dark gray</p> <p>FSB blue</p> <p>FSG green</p> <p>FSY yellow</p> <p>FSR red</p> <p>**inner wall only</p>
Standard	Canopy Color	Cord Color																																								
WCC	white	white																																								
BCC	black	black																																								
SCC	silver	silver																																								
MBC	white	silver																																								
RAL																																										
RCW	RALX	white																																								
RCB	RALX	black																																								
RCS	RALX	silver																																								
Custom																																										
CCW	CCL	white																																								
CCB	CCL	black																																								
CCS	CCL	silver																																								

Modify & Customize*

MOD indicates a modification to standard spec attributes

CSM indicates a customized feature

standard: RPM-OWL - 72 - SO - RGBW35 - DMX - SPC - BLK - BCC - FPD

modified Lm: **MOD** - RPM-OWL - 48 - **MD9500LM** - 940 - DIM - MCC - ASL - SCC - RMT

custom ring Ø: **CSM** - RPM-OWL - **42/67/95** - SO - 940 - DIM - MRC - WHT - WCC

* **MOD/CSM** placed at the beginning of an order sequence

LED

SO Standard output static white LED is equal to the delivered lumens for model listings defined in the table to the right. Standard white LED choices are 3000-4000 °K. Consult factory for additional options within range 2200-6500 °K.

HO High output static white LED is equal to the delivered lumens for model listings defined in the table to the right

MD Modify output within standard range in 5% increments up to 1186 lm/linear ft.

TW Tunable White is programmable between 2700-6500 °K

WD Warm Dim ranges between 2200-3500 °K

RGBW30 | RGBW35 | RGBW40 RGB + White LED lumen output is the same as static white LED as shown in the table

(consult factory for MD, TW, WD, and RGB+W options)

Fixture Ø (in.)	Max Weight	Sections per Ring	Standard Output		High Output	
			Lumens	Watts	Lumens	Watts
24	6 lbs	1	3,737	38	7,448	76
36	8 lbs	1	5,605	57	11,172	114
48	11 lbs	1	7,473	76	14,896	152
60	14 lbs	1	9,342	95	18,620	190
72	17 lbs	1	11,210	114	22,344	228
84	19 lbs	3	13,078	133	26,068	266
96	22 lbs	3	14,946	152	29,792	304
120	28 lbs	6	18,683	190	37,240	380

Driver

Drivers are integral, Class 2 constant current, Universal and include two-wire 0 - 10 V dimming, 1-100%.

Delivered lumen output values can be programmed to lower values than shown in 5% increments.

Consult factory for DMX commissioning with RGB+W and for DALI dimming control options.

Remote and backup battery options are available (p.8).

120-277 VAC

DIM	0-10 V/.1%
DIM.1	0-10 V/.1%
DAL	DALI
DMX	Digital Multiplex (consult factory)

120 VAC

TRC	TRIAC/ELV
------------	-----------

SPC Standard Mounting Details

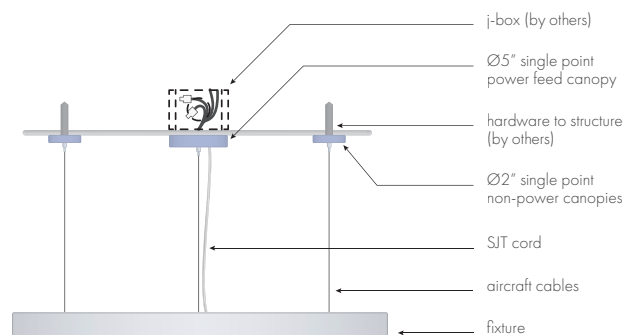
Fixture Ø (in.)	Mounting Points	Ø 2" Non-Power Canopy Qty		Standard Output			High Output		
		SO	HO	Power Feed Canopy Qty	Power Feed Canopy Size	Power Cord Qty	Power Feed Canopy Qty	Power Feed Canopy Size	Power Cord Qty
24	3	2	2	1	9"x1.5"	1	1	9"x1.5"	1
36	3	2	2	1	9"x1.5"	1	1	9"x1.5"	1
48	3	2	2	1	9"x1.5"	1	1	13"x 2"	1
60	3	2	2	1	9"x1.5"	1	1	13"x 2"	2
72	3	2	2	1	9"x1.5"	1	1	13"x 2"	2
84	6	5	5	1	13"x 2"	1	1	13"x 2"	2
96	6	5	5	1	13"x 2"	1	1	13"x 2"	2
120	6	4	4	2	13"x 2"	2	2	13"x 2"	2

Standard Mounting

SPC (single point canopy)

Rings are suspended with straight, 100" field adjustable aircraft cables individually attached to single point Ø2" non-power canopies and a power feed canopy.

Consult factory for custom mounting options



Drawings not to scale

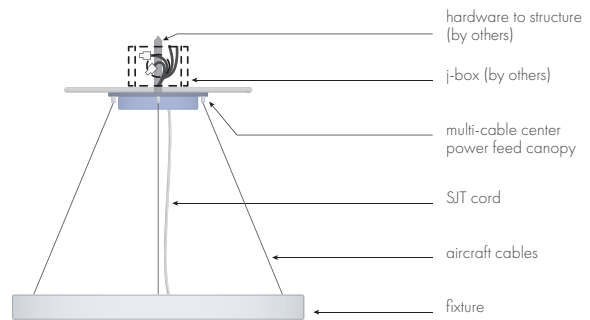
MCC (multi-cable center canopy)

Rings are suspended with multiple angled, 100" field adjustable aircraft cables attached to a central power feed canopy. Cable angle should not be greater than 45° (see diagram).

Consult factory for ring diameters greater than 96".

MCC Standard Mounting Details

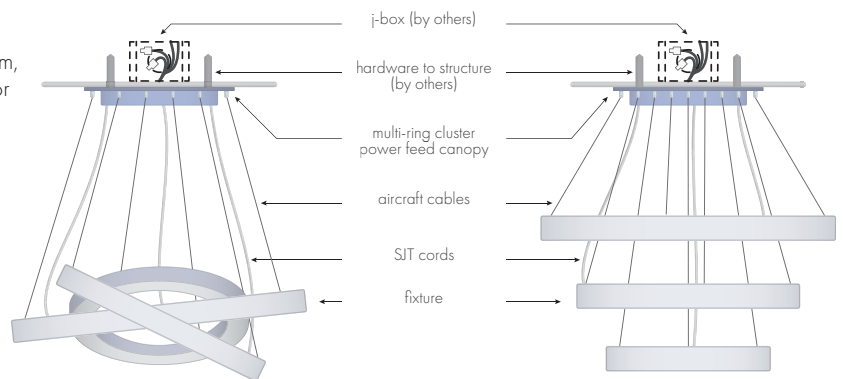
Fixture Ø (in.)	AC Cable Qty	Min Hang Hight (over 45°)	Standard Output		High Output	
			Canopy Size	Power Cord Qty	Canopy Size	Power Cord Qty
24	3	5"	9"x1.5"	1	9"x1.5"	1
36	3	11"	9"x1.5"	1	9"x1.5"	1
48	3	17"	9"x1.5"	1	13"x 2"	1
60	3	23"	9"x1.5"	1	13"x 2"	2
72	3	29"	9"x1.5"	1	13"x 2"	2
84	6	35"	13"x 2"	1	13"x 2"	2
96	6	41"	13"x 2"	1	13"x 2"	2



MRC (multiple ring cluster)

Elegant rings dynamically suspend from a central custom canopy in custom, eye-catching arrangements. 100" field adjustable aircraft cables allow for on-site angle adjustments.

Consult our factory for required submittals.

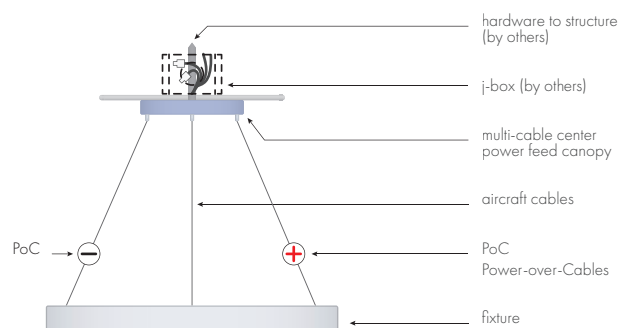


MCC-POC (power-over-cable)

We use a powered suspension system to suspend and power Class 2 LED lighting fixtures with a thin cable, providing a refined, modern look without the need for a separate power cord.

The number of PoC cables on each ring depends on fixture size and lumen requirements. Consult factory for required submittals.

The diagram to the right illustrates MCC-PoC. Consult factory for SPC-PoC and MRC-PoC.

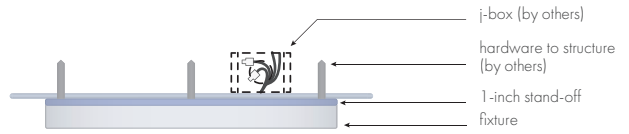


Drawings not to scale

Standard Mounting

SRF (surface mounted)

Luminaire is fastened to mounting structure with 1" stand-off.



Canopies

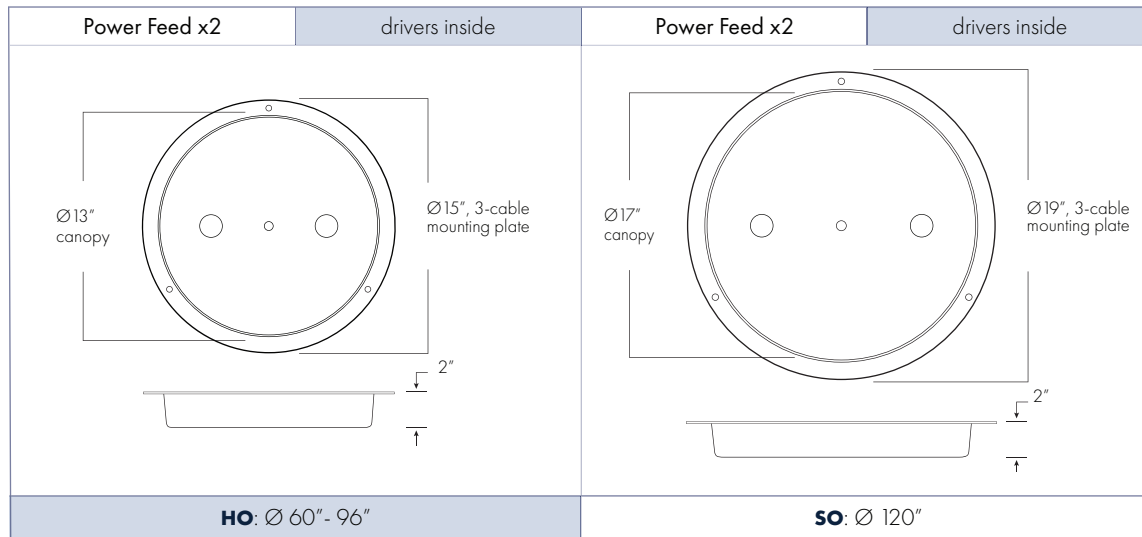
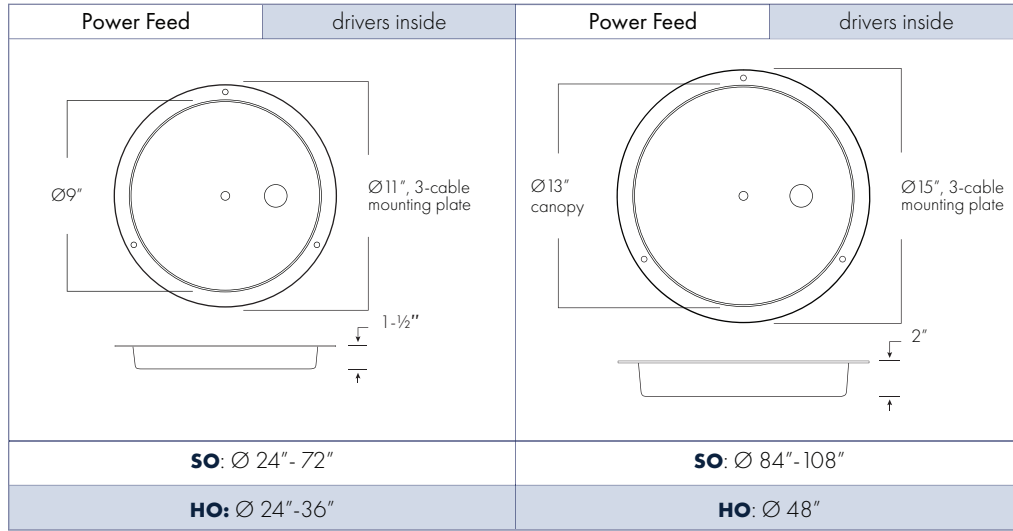
SPC (Single Point Canopies)

Non-Power	mounting canopy	Power Feed	drivers inside	Power Feed x2	drivers inside
$\frac{1}{4}''$	$1\frac{1}{2}''$	$1\frac{1}{2}''$			
SO: Ø 24" - 120"	SO: Ø 24" - 72"	SO: Ø 120"			
HO: Ø 24" - 120"	HO: Ø 24" - 36"				

Power Feed	drivers inside	Power Feed x2	drivers inside
$2''$	$2''$		
SO: Ø 84" - 96"	SO: Ø 84" - 96"		
HO: Ø 48"	HO: Ø 60" - 96"		

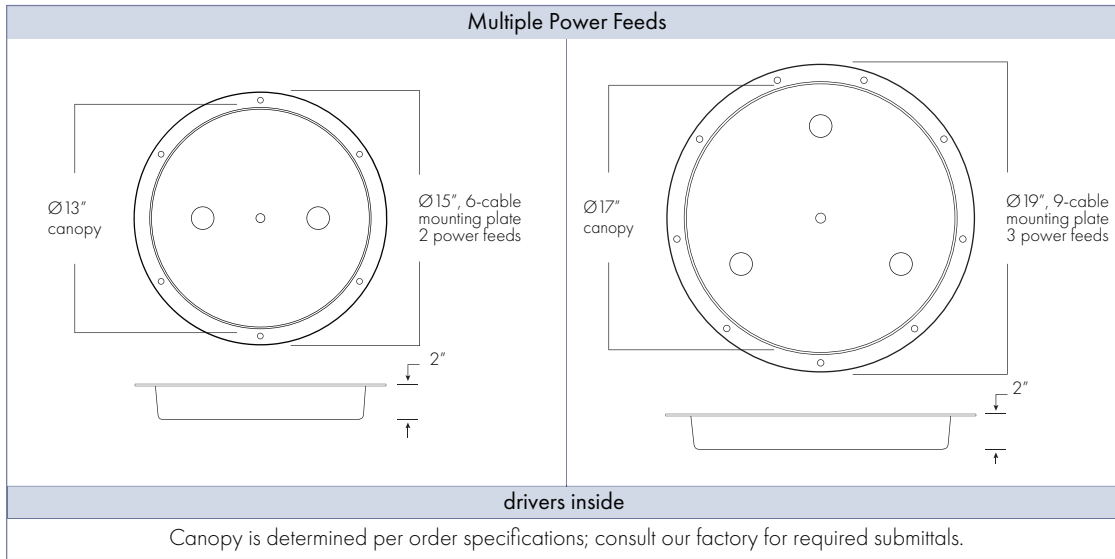
Drawings not to scale

MCC (Multi-Cable Center Canopies)



Drawings not to scale

MRC (Multi-Ring Canopies)



Fixture Finish

Powder Coat (standard colors)



Powder Coat (color match)



Wood Grain (covers inner and outer walls)



Vinyl Skin (covers inner and outer walls)

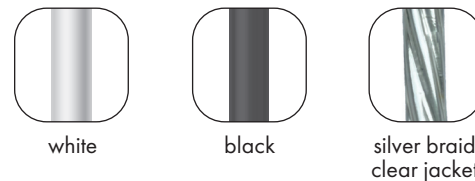


Canopy | Cord Finish

Canopy finish options include powder coat in standard or custom colors. When RAL or custom colors are applied to fixtures, canopies may be custom finished to match. 4-digit RAL color code or color chip must be provided.

While choosing a canopy finish, choose a power cord color.

SJT Cord



Standard	Canopy	Cord
WCC	white	white
BCC	black	black
SCC	silver	silver
MBC	white	silver

RAL	Canopy	Cord
RCW	RALX	white
RCB	RALX	black
RCS	RALX	silver

Custom	Canopy	Cord
CCW	CCL	white
CCB	CCL	black
CCS	CCL	silver

Match with RAL (**RALX**) or custom color (**CCL**) fixtures

Drawings not to scale
Colors shown here are approximations

Options

RMT (remote driver)

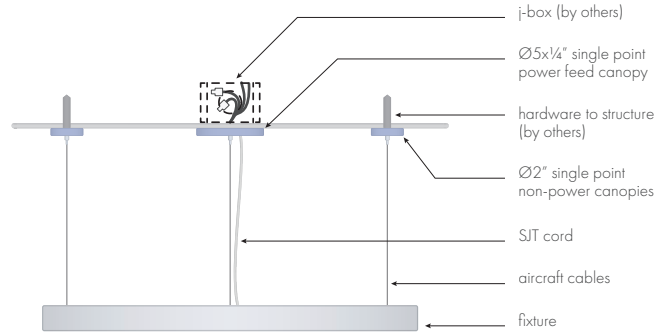
Remote driver is mounted to an aluminum plate (by Lumos) to be placed inside an electrical enclosure (by others).

The diagram to the right illustrates single point canopy mounting (SPC) with remote option (RMT).

RMT-BBU

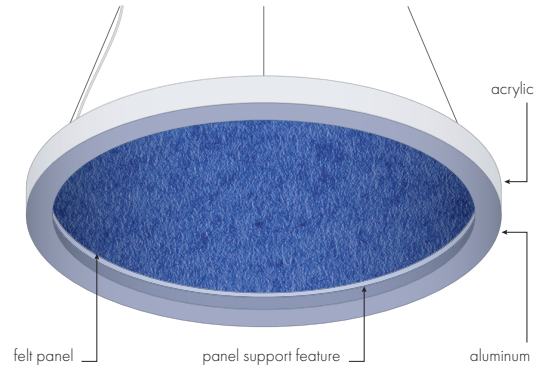
Emergency backup battery is connected to each driver, which operates for 90 minutes. Test switch and LED indicator included. When RMT-BBU is selected, batteries and drivers are mounted to an aluminum plate (by Lumos).

DIM, DIM.1, DALI drivers are rated 120-277 VAC; TRIAC/ELV drivers are rated 120 VAC.



Acoustic Options

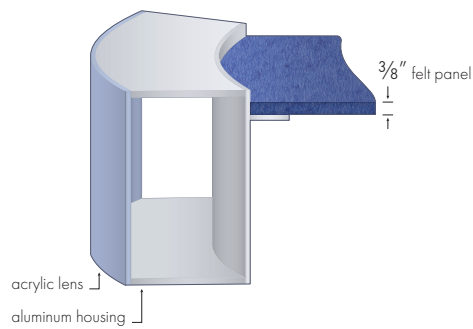
Our rings can be transformed into acoustical absorbing luminaires to help reduce sound reflections and reverberations in a room. Design options combine light with acoustical absorbent felt to improve the overall sound quality and appearance of a space. The felt absorbs sound waves, reducing echo and enhancing speech intelligibility, while the light source provides illumination.



Panel

Durable 3/8" thick felt panel centered in ring. Made from 60% recycled PET fiber with NRC .30.

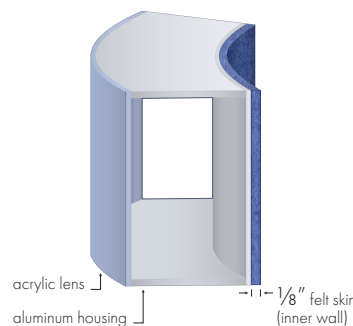
Panel absorber can be combined with Skin absorber.



Skin

Inner and outer walls of ring are covered with 1/8" thick felt made from 100% post-consumer recycled polyester fiber with NRC .70.

Skin absorber can be combined with Panel absorber.



Drawings not to scale
Colors shown here are approximations