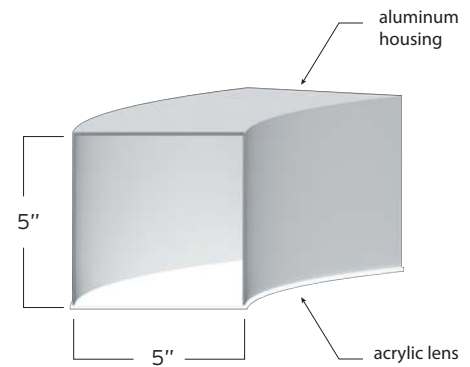


A down light ring with glare-free illumination



Features

- Diameter: 24" to 240"
- Efficacy: 82 delivered lumens per watt
- Housing: Formed aluminum
- Lens: Transmissive, frosted acrylic
- Mounting: Suspension, surface
- Driver: Integral
- Certification: UL listed for damp location use
- Warranty: 5-year limited warranty
- Photometry: ITL Boulder photometric report and IES files on the web site
- Rings up to 72" diameter ship in one piece
- Mounting option for Multiple Ring Clusters
- Acoustic Absorber options available



RP-DN-48-3500-WHT-SPC-WCC

Project: _____ Type: _____ Date: _____

Order: _____

Order Guide



Ring Size	Lumen Output	LED	Driver	Fixture Finish
<p>24</p> <p>36</p> <p>48</p> <p>60</p> <p>72</p> <p>84</p> <p>96</p> <p>120</p> <p>144</p> <p>168</p> <p>192</p> <p>240</p>	<p>SO standard</p> <p>HO high</p> <p>MD modify lumens (consult factory)</p>	<p>Static White LED CRI CCT</p> <p>830 CRI >80 3000°K</p> <p>835 CRI >80 3500°K</p> <p>840 CRI >80 4000°K</p> <p>930 CRI >90 3000°K</p> <p>935 CRI >90 3500°K</p> <p>940 CRI >90 4000°K</p> <p>TW tunable white 2700-6500°K</p> <p>WD warm dim 2200-3500°K</p> <p>Red, Green, Blue + White LED</p> <p>RGBW30 RGBW + 3000°K</p> <p>RGBW35 RGBW + 3500°K</p> <p>RGBW40 RGBW + 4000°K</p>	<p>DIM 0-10V/1%</p> <p>DIM-.1 0-10 V/.1%</p> <p>TRC TRIAC/ELV</p> <p>DAL DALI</p> <p>DMX Digital Multiplex* *combine with remote option</p> <p>Drivers are rated 120-277 VAC</p>	<p>Powder Coat</p> <p>WHT matte white</p> <p>BLK satin black</p> <p>ASL anodized silver</p> <p>GRY matte gray (RAL 7035)</p> <p>RAL RAL code (specify)</p> <p>CCL custom color (provide chip)</p> <p>Wood Grain</p> <p>WG1 ash</p> <p>WG2 teak</p> <p>WG3 walnut</p> <p>WG4 zebrawood</p> <p>Skin</p> <p>CFS carbon fiber</p>

Mounting	Options	Canopy Cord Finish	Acoustic Absorber																																							
<p>Pendant</p> <p>SPC single point canopies</p> <p>MCC multi-cable center canopy</p> <p>MRC multi-ring cluster</p> <p>Power-over-Cable (PoC)</p> <p>MCC-POC Power-over-Cable + MCC mounting</p> <p>Surface</p> <p>CMT ceiling wall mount</p>	<p>RMT remote driver</p> <p>BBU battery backup</p>	<table border="1"> <thead> <tr> <th>Standard</th> <th>Canopy</th> <th>Cord</th> </tr> </thead> <tbody> <tr> <td>WCC white</td> <td>white</td> <td>white</td> </tr> <tr> <td>BCC black</td> <td>black</td> <td>black</td> </tr> <tr> <td>SCC silver</td> <td>silver</td> <td>silver</td> </tr> <tr> <td>MBC white</td> <td>white</td> <td>silver</td> </tr> </tbody> </table> <p>RAL Color</p> <table border="1"> <thead> <tr> <th>RAL Color</th> <th>Canopy</th> <th>Cord</th> </tr> </thead> <tbody> <tr> <td>RCW</td> <td>RAL color</td> <td>white</td> </tr> <tr> <td>RCB</td> <td>RAL color</td> <td>black</td> </tr> <tr> <td>RCS</td> <td>RAL color</td> <td>silver</td> </tr> </tbody> </table> <p>Custom Color (CCL)</p> <table border="1"> <thead> <tr> <th>Custom Color (CCL)</th> <th>Canopy</th> <th>Cord</th> </tr> </thead> <tbody> <tr> <td>CCW</td> <td>CCL color</td> <td>white</td> </tr> <tr> <td>CCB</td> <td>CCL color</td> <td>black</td> </tr> <tr> <td>CCS</td> <td>CCL color</td> <td>silver</td> </tr> </tbody> </table>	Standard	Canopy	Cord	WCC white	white	white	BCC black	black	black	SCC silver	silver	silver	MBC white	white	silver	RAL Color	Canopy	Cord	RCW	RAL color	white	RCB	RAL color	black	RCS	RAL color	silver	Custom Color (CCL)	Canopy	Cord	CCW	CCL color	white	CCB	CCL color	black	CCS	CCL color	silver	<p>Center Panel Absorber</p> <p>APL light gray</p> <p>APD dark gray</p> <p>APB blue</p> <p>APG green</p> <p>APY yellow</p> <p>APR red</p> <p>Skin Absorber</p> <p>ASL light gray</p> <p>ASD dark gray</p> <p>ASB blue</p> <p>ASG green</p> <p>ASY yellow</p> <p>ASR red</p>
Standard	Canopy	Cord																																								
WCC white	white	white																																								
BCC black	black	black																																								
SCC silver	silver	silver																																								
MBC white	white	silver																																								
RAL Color	Canopy	Cord																																								
RCW	RAL color	white																																								
RCB	RAL color	black																																								
RCS	RAL color	silver																																								
Custom Color (CCL)	Canopy	Cord																																								
CCW	CCL color	white																																								
CCB	CCL color	black																																								
CCS	CCL color	silver																																								

Modify & Customize

MOD indicates a modification to standard spec attributes

CSM indicates a customized feature

standard: RP-DN - 60 - SO - 935 - DIM - BLK - SPC - BCC - APB

modified Lm: **MOD** - RP-DN - 60 - **MD1000LM** - DIM - ASL - MCC - SCC

custom ring Ø: **CSM** - RP-DN - **35/55/75** - 840 - DIM - WHT - MRC - WCC

MOD/CSM located at the start of an order sequence



LED | CRI

Static White LED standard output is equal to the delivered lumens for model listings defined in table to right.

Standard Static White LED choices are 3000-4000°K. Additional options (2200-6500°K) are available; consult factory.

RGB + White LED lumen output is the same as Static White LED as shown in the table. RGB+White LED options include a DMX decoder to connect with a remote DMX control system.

TW Tunable white is programmable between 2700-6500°K.

WD Warm Dim ranges between 2200-3500°K.

Fixture Ø (in.)	Weight (lbs) without components	Sections per Ring	Standard Output		High Output	
			Lumens	Watts	Lumens	Watts
24	9.6	1	3,020	37	5,904	74
36	14.3	1	4,534	56	8,856	111
48	19.1	1	6,062	74	11,808	148
60	23.9	1	7,578	93	14,760	185
72	28.7	1	9,094	111	17,712	221
84	33.4	3	10,609	130	20,664	258
96	38.2	3	12,529	153	24,403	305
120	47.8	6	15,611	192	30,504	381
144	57.3	6	18,793	230	36,605	458
168	66.9	6	21,926	268	42,706	534
192	76.4	8	25,058	308	48,806	610
240	95.5	8	31,322	383	61,008	763

Driver | Voltage

Drivers are integral, Class 2 constant current, Universal 120-277VAC and include two-wire 0 - 10V dimming, 1 - 100%.

Delivered lumen output values can be programmed to lower values than shown in 5% increments.

Lumos suggests using remote DMX decoders and drivers to simplify DMX commissioning with RGB+WV. Drivers and decoders are mounted to an aluminum plate (by Lumos) to be placed inside an electrical enclosure (by others). Refer to the RMT Appendix for dimensional diagrams, available at lumoscustom.com.

Consult factory for DALI dimming control options.

DIM	0-10V/1%
DIM-1	0-10 V/.1%
TRC	TRIAC/ELV
DAL	DALI
DMX	Digital Multiplex

Fixture Finish

powder coat | standard colors



wood grain | covers inner and outer walls



powder coat | color match



skin | covers inner and outer walls



Standard Mounting

Drivers are integral.

Standard options include 100" adjustable cable(s).

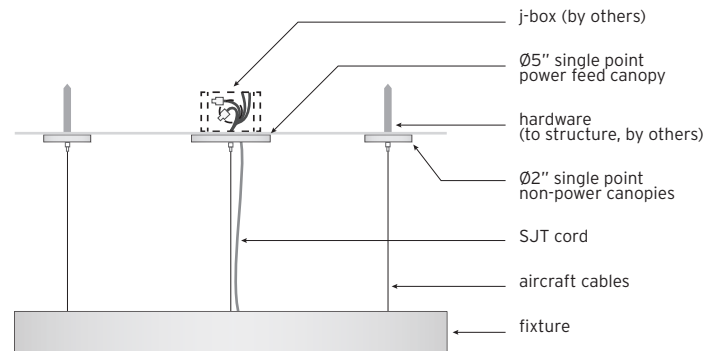
Consult factory for additional mounting options.

SPC | Single Point Canopies

Rings are suspended with straight cables attached to single point $\varnothing 2"$ non-power canopies and a $\varnothing 5"$ power feed canopy.

SPC Standard Output Mounting Details

Fixture \varnothing (in.)	SPC Points	$\varnothing 2"$ Non-Power canopy count	$\varnothing 5"$ Power Feed canopy count
24	3	2	1
36	3	2	1
48	3	2	1
60	3	2	1
72	3	2	1
84	3	2	1
96	6	5	1
120	6	5	1
144	6	5	1
168	6	5	1
192	8	7	1
240	8	7	1



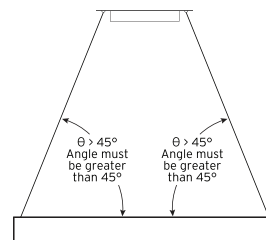
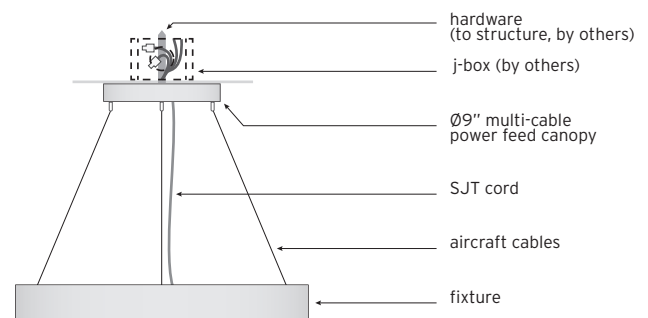
MCC | Multi-Cable Center Canopy

Angled cables are attached to a central $\varnothing 9"$ power feed canopy.

Cable angle should not be greater than 45° (see diagram).

MCC Standard Output Mounting Details

Fixture \varnothing (in.)	Cable Count	Minimum Hang Height (over 45°)
24	3	3"
36	3	9"
48	3	15"
60	3	21"
72	3	27"
84	3	33"
96	6	39"



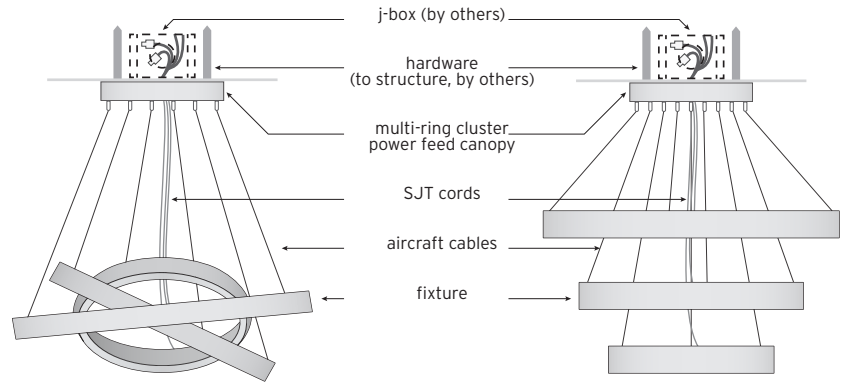
Do not scale drawings

Standard Mounting

MRC | Multiple Ring Cluster

Elegant rings dynamically suspend from a central canopy in custom, eye-catching arrangements.

This option requires factory submittals; consult factory.



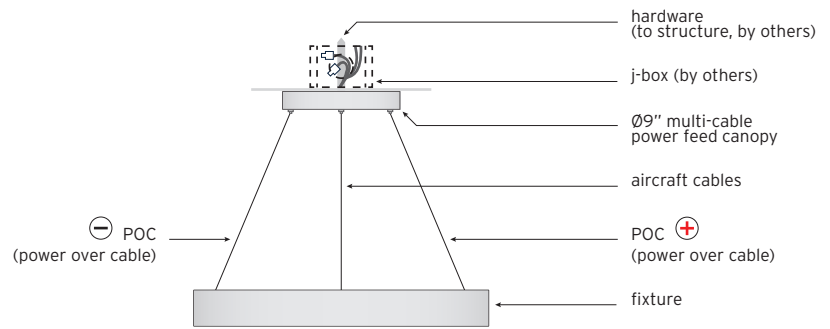
MCC-POC | Power Over Cable

We use a powered suspension system to suspend and power Class 2 LED lighting fixtures with a thin cable, providing a refined, modern look without the need for a separate power cord.

The number of PoC cables on each ring depends on fixture size and lumen requirements; consult factory.

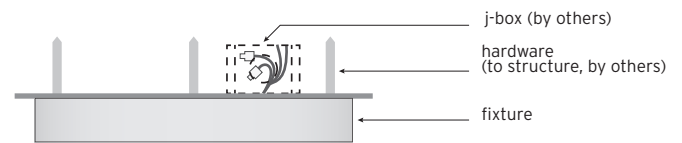
The diagram to the right illustrates MCC PoC. Consult factory for SPC /MRC PoC.

PoC requires factory submittals; consult factory.



CMT | Ceiling or Wall Mounted

Luminaire is fastened flush to mounting structure.



Options

RMT | Remote Driver

Remote drivers are mounted to an aluminum plate (by Lumos) to be placed inside an electrical enclosure (by others).

Refer to the RMT Driver Appendix for diagrams, available at our website, lumoscustom.com.

BBU | Battery Backup

Emergency backup battery is connected to one or more drivers, which operates for 90 minutes.

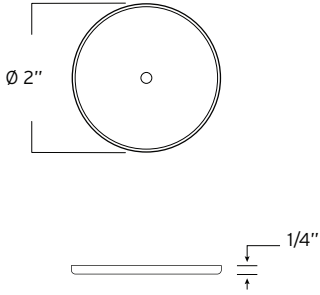
Universal 120/277VAC includes test switch and LED indicator.

Remote mounting done by others.

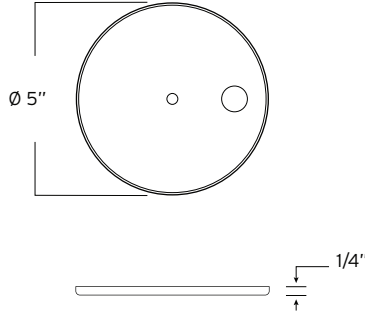
Do not scale drawings

Canopies

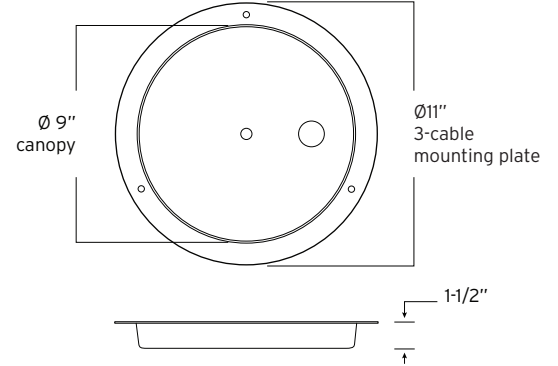
SPC | Single Point
2" non-power canopy



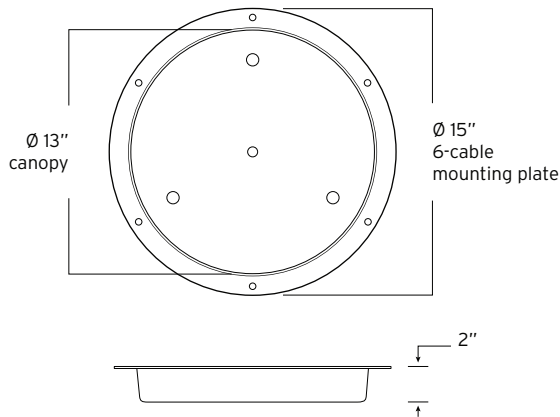
SPC | Single Point
5" power feed canopy



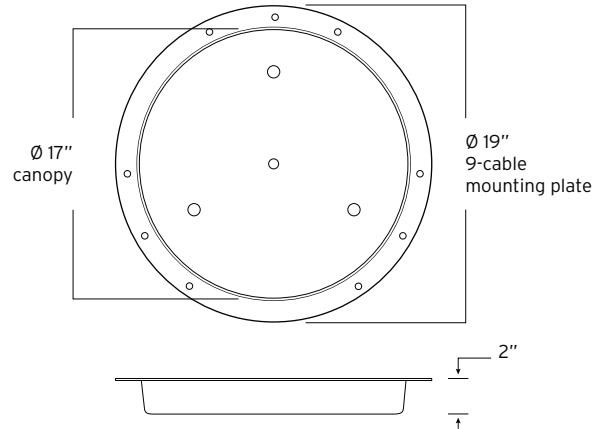
MCC | Multi-Cable Center
9" power feed canopy



MRC | Multiple Ring Cluster*
13" power feed canopy



MRC | Multiple Ring Cluster*
17" power feed canopy



*MRC options require factory submittals; consult factory.

Do not scale drawings

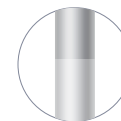
Canopy | Cord Finish

Canopy finish options include powder coat in both standard or custom colors. When RAL or custom colors are applied to fixtures, canopies may be custom finished to match. 4-digit RAL color code or color chip must be provided.

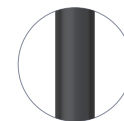
While choosing a canopy finish, choose a power cord color.

Standard	Canopy	Cord	RAL	Canopy	Cord	Custom	Canopy	Cord
WCC	white	white	RCW	RAL color	white	CCW	CCL color	white
BCC	black	black	RCB	RAL color	black	CCB	CCL color	black
SCC	silver	silver	RCS	RAL color	silver	CCS	CCL color	silver
MBC	white	silver						

For use with RAL (**RAL**) or custom color (**CCL**) fixtures.



white



black



silver braid

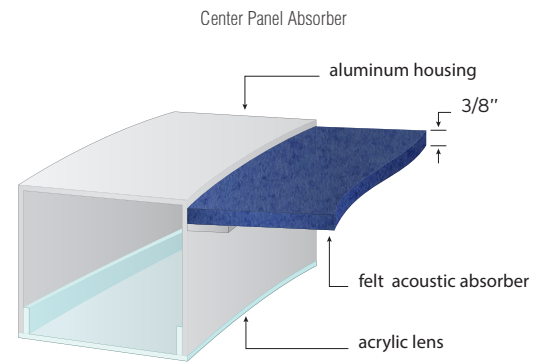
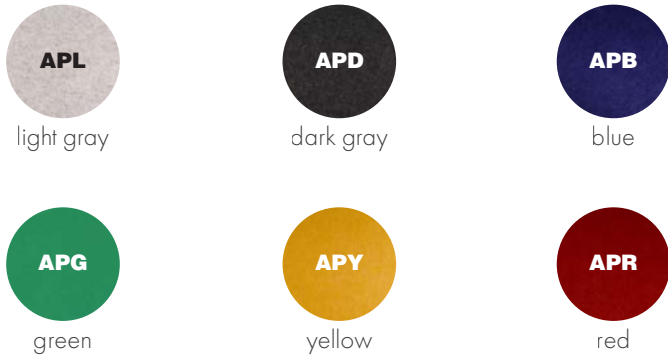
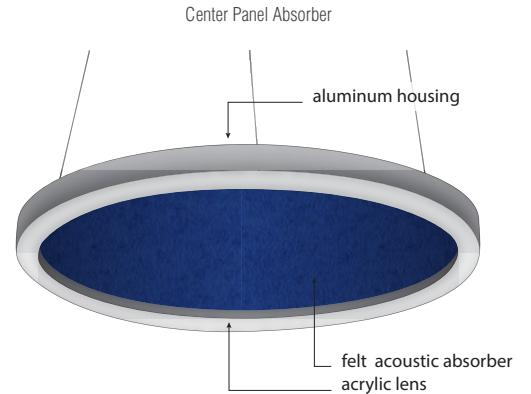
Acoustic Absorber

Our rings can be transformed into acoustical absorbing luminaires to help reduce sound reflections and reverberations in a room. Design options combine light with acoustical absorbent felt to improve the overall sound quality and appearance of a space. The felt absorbs sound waves, reducing echo and enhancing speech intelligibility, while the light source provides illumination.

Acoustic Absorber | Center Panel

Durable 3/8" thick felt panel, NRC .30, made from 60% recycled PET, is centered within ring.

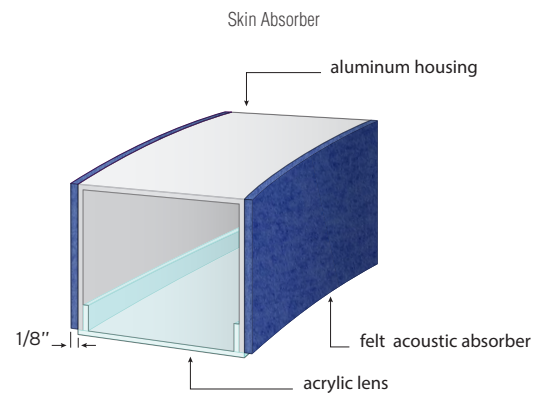
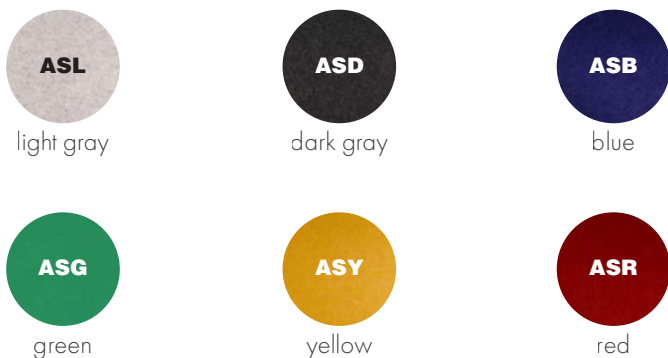
Center Panel Absorber can be combined with Skin Absorber.



Acoustic Absorber | Skin

Inner and outer walls of ring are covered with 1/8" thick felt made from 100% post-consumer recycled polyester fiber, NRC .70.

Skin Absorber can be combined with Center Panel Absorber.



Do not scale drawings