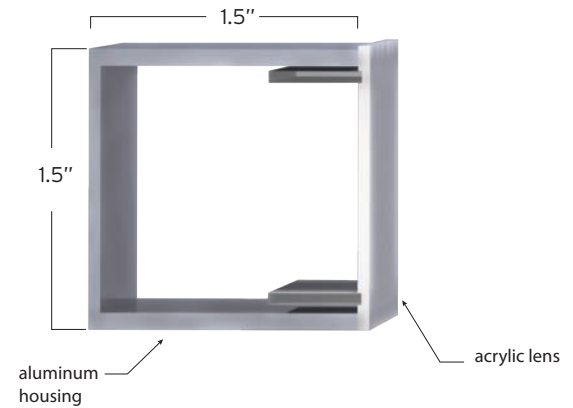


A triangle with an illuminated inner wall



Features

- Sizes: 12", 24", 36", 48"
- Efficacy: 92 delivered lumens per watt
- Housing: Formed aluminum
- Lens: Transmissive, frosted acrylic
- Mounting: Suspension, surface
- Certification: UL listed for damp location use
- Warranty: 5-year limited warranty
- Driver: Inside canopy, remote
- Acoustic Absorber options available
- Unique geometric shape adds dynamic visual interest within spaces



TRI-IWL-48-SO-840-DIM-BLK-SPC-BCC

Project: _____ Type: _____ Date: _____

Order: _____

Order Guide



Size "	Lumen Output	p.3	LED	p.3	Driver	p.3	Fixture Finish	p.3
12	SO standard		Static White LED CRI CCT		DIM 0-10V/1%		Powder Coat	
24	MD modify lumens (consult factory)		830 CRI >80 3000°K		DIM-.1 0-10 V/.1%		WHT matte white	
36			835 CRI >80 3500°K		TRC TRIAC/ELV		BLK satin black	
48			840 CRI >80 4000°K		DAL DALI		ASL anodized silver	
			930 CRI >90 3000°K		DMX Digital Multiplex*		GRY matte gray (RAL 7035)	
			935 CRI >90 3500°K		*combine with remote option		RAL RAL code (specify)	
			940 CRI >90 4000°K		Drivers are rated 120-277 VAC		CCL custom color (provide chip)	
			Red, Green, Blue + White LED				Wood Grain	
			RGBW30 RGBW + 3000°K				WG1 ash	
			RGBW35 RGBW + 3500°K				WG2 teak	
			RGBW40 RGBW + 4000°K				WG3 walnut	
							WG4 zebrawood	
							Skin	
							CFS carbon fiber	

Mounting	p.4-5	Options	p.5	Canopy Cord Finish	p.6	Acoustic Absorber	p.7
Pendant		RMT remote driver		Standard	Canopy	Cord	Center Panel Absorber
SPC single point canopies		BBU battery backup		WCC white	white	white	APL light gray
MCC multi-cable center canopy				BCC black	black	black	APD dark gray
MRC multi-triangle cluster				SCC silver	silver	silver	APB blue
Power-over-Cable (PoC)				MBC white	white	silver	APG green
MCC-POC Power-over-Cable + MCC mounting							APY yellow
Surface							APR red
CMT ceiling wall mount							Skin Absorber
							ASL light gray
							ASD dark gray
							ASB blue
							ASG green
							ASY yellow
							ASR red

Modify & Customize

MOD	indicates a modification to standard spec attributes
CSM	indicates a customized feature
standard:	TRI-IWL - 48 - SO - 935 - DIM - BLK - SPC - BCC - APB
modify lumens:	MOD - TRI-IWL - 36 - MD7500LM - DIM - ASL - MCC - SCC
custom size:	CSM - TRI-IWL - 54 - 840 - DIM - WHT - SPC - WCC
	MOD/CSM located at the start of an order sequence

Custom Color (CCL)

CCW	CCL color	white
CCB	CCL color	black
CCS	CCL color	silver