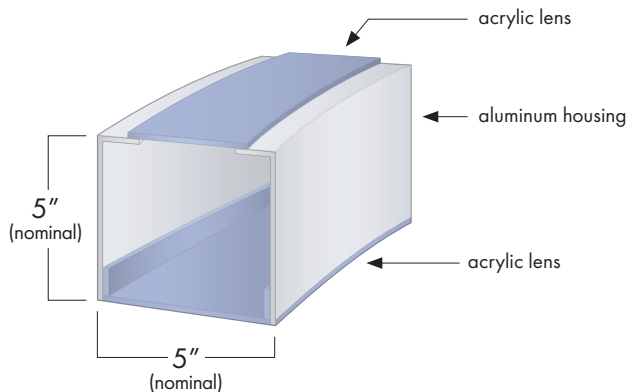




## RING WITH BI-DIRECTIONAL GLARE-FREE ILLUMINATION



### Features

- Diameter:** 24" to 240" (nominal)
- Output:** 95 LPW
- Housing:** Aluminum
- Lens:** Transmissive, frosted acrylic
- Mounting:** Pendant
- Driver:** Integral or remote
- Weight:** 5 lb/ft (based on  $\emptyset$ )
- Certification:** UL listed for damp location use
- Warranty:** 5-year limited warranty
- Photometry:** Third-party photometric report and IES files on the website

- Power-over-Cable option
- Mounting for multi-ring clusters
- RGB+W in standard lumen output range
- Acoustic options available

Project: \_\_\_\_\_ Type: \_\_\_\_\_ Date: \_\_\_\_\_

Order: \_\_\_\_\_

Example: MOD - RP-UP-DN - 60 - MD16000LM - 840 - DIM - MCC - ASL - SCC - RMT

## Order Guide



<p><b>24</b></p> <p><b>36</b></p> <p><b>48</b></p> <p><b>60</b></p> <p><b>72</b></p> <p><b>84</b></p> <p><b>96</b></p> <p><b>120</b></p> <p><b>144</b></p> <p><b>168</b></p> <p><b>192</b></p> <p><b>240</b></p>	<p><b>SO</b> standard 563 lm/linear ft</p> <p><b>HO</b> high 1125 lm/linear ft</p> <p><b>MD</b> modify lumens and watts (consult factory)</p>	<p><b>Static White</b></p> <p><b>830</b> CRI &gt;80 3000°K</p> <p><b>835</b> CRI &gt;80 3500°K</p> <p><b>840</b> CRI &gt;80 4000°K</p> <p><b>930</b> CRI &gt;90 3000°K</p> <p><b>935</b> CRI &gt;90 3500°K</p> <p><b>940</b> CRI &gt;90 4000°K</p> <p><b>Dynamic White</b></p> <p><b>TW</b> tunable white 2700-6500 °K</p> <p><b>WD</b> warm dim 2200-3500 °K</p> <p><b>Red, Green, Blue + White</b></p> <p><b>RGBW30</b> RGB+W 3000°K</p> <p><b>RGBW35</b> RGB+W 3500°K</p> <p><b>RGBW40</b> RGB+W 4000°K</p> <p>(consult for TW, WD &amp; RGB+W)</p>	<p><b>120-277 VAC</b></p> <p><b>DIM</b> 0-10 V/1%</p> <p><b>DIM.1</b> 0-10 V/.1%</p> <p><b>DAL</b> DALI</p> <p><b>DMX</b> Digital Multiplex (consult factory)</p> <p><b>120 VAC</b></p> <p><b>TRC</b> TRIAC/ ELV</p>	<p><b>Pendant</b></p> <p><b>SPC</b> single point canopies</p> <p><b>MCC</b> multi-cable center canopy (consult for Ø &gt; 96")</p> <p><b>MRC</b> multi-ring cluster (consult for submittals)</p> <p><b>Power-over-Cable (PoC)</b></p> <p><b>MCC-POC</b> Power-over-Cable with multi-cable center canopy (consult for submittals)</p>
--	---	--	--	--



<p><b>Powder Coat</b></p> <p><b>WHT</b> matte white</p> <p><b>BLK</b> matte black</p> <p><b>ASL</b> anodized silver</p> <p><b>GRY</b> matte gray (RAL 7035)</p> <p><b>RALX</b> matte RAL color X=code (specify)</p> <p><b>CCL</b> custom color (provide chip)</p> <p><b>Wood Grain</b></p> <p><b>WG1</b> ash</p> <p><b>WG2</b> teak</p> <p><b>WG3</b> walnut</p> <p><b>WG4</b> zebrawood</p> <p><b>Skin</b></p> <p><b>CFS</b> carbon fiber</p>	<p><b>Powder Coat</b></p> <table border="1"> <thead> <tr> <th>Standard</th> <th>Canopy Color</th> <th>Cord Color</th> </tr> </thead> <tbody> <tr> <td><b>WCC</b></td> <td>white</td> <td>white</td> </tr> <tr> <td><b>BCC</b></td> <td>black</td> <td>black</td> </tr> <tr> <td><b>SCC</b></td> <td>silver</td> <td>silver</td> </tr> <tr> <td><b>MBC</b></td> <td>white</td> <td>silver</td> </tr> <tr> <td><b>RAL</b></td> <td></td> <td></td> </tr> <tr> <td><b>RCW</b></td> <td>RALX</td> <td>white</td> </tr> <tr> <td><b>RCB</b></td> <td>RALX</td> <td>black</td> </tr> <tr> <td><b>RCS</b></td> <td>RALX</td> <td>silver</td> </tr> <tr> <td><b>Custom</b></td> <td></td> <td></td> </tr> <tr> <td><b>CCW</b></td> <td>CCL</td> <td>white</td> </tr> <tr> <td><b>CCB</b></td> <td>CCL</td> <td>black</td> </tr> <tr> <td><b>CCS</b></td> <td>CCL</td> <td>silver</td> </tr> </tbody> </table>	Standard	Canopy Color	Cord Color	<b>WCC</b>	white	white	<b>BCC</b>	black	black	<b>SCC</b>	silver	silver	<b>MBC</b>	white	silver	<b>RAL</b>			<b>RCW</b>	RALX	white	<b>RCB</b>	RALX	black	<b>RCS</b>	RALX	silver	<b>Custom</b>			<b>CCW</b>	CCL	white	<b>CCB</b>	CCL	black	<b>CCS</b>	CCL	silver	<p><b>RMT</b> remote driver</p> <p><b>BBU</b> remote battery backup with remote driver</p>	<p><b>Panel</b></p> <table border="1"> <tbody> <tr> <td><b>FPL</b></td> <td>light gray</td> </tr> <tr> <td><b>FPD</b></td> <td>dark gray</td> </tr> <tr> <td><b>FPB</b></td> <td>blue</td> </tr> <tr> <td><b>FPG</b></td> <td>green</td> </tr> <tr> <td><b>FPY</b></td> <td>yellow</td> </tr> <tr> <td><b>FPR</b></td> <td>red</td> </tr> </tbody> </table> <p>(max Ø = 144")</p> <p><b>Skin</b></p> <table border="1"> <tbody> <tr> <td><b>FSL</b></td> <td>light gray</td> </tr> <tr> <td><b>FSD</b></td> <td>dark gray</td> </tr> <tr> <td><b>FSB</b></td> <td>blue</td> </tr> <tr> <td><b>FSG</b></td> <td>green</td> </tr> <tr> <td><b>FSY</b></td> <td>yellow</td> </tr> <tr> <td><b>FSR</b></td> <td>red</td> </tr> </tbody> </table>	<b>FPL</b>	light gray	<b>FPD</b>	dark gray	<b>FPB</b>	blue	<b>FPG</b>	green	<b>FPY</b>	yellow	<b>FPR</b>	red	<b>FSL</b>	light gray	<b>FSD</b>	dark gray	<b>FSB</b>	blue	<b>FSG</b>	green	<b>FSY</b>	yellow	<b>FSR</b>	red
Standard	Canopy Color	Cord Color																																																																
<b>WCC</b>	white	white																																																																
<b>BCC</b>	black	black																																																																
<b>SCC</b>	silver	silver																																																																
<b>MBC</b>	white	silver																																																																
<b>RAL</b>																																																																		
<b>RCW</b>	RALX	white																																																																
<b>RCB</b>	RALX	black																																																																
<b>RCS</b>	RALX	silver																																																																
<b>Custom</b>																																																																		
<b>CCW</b>	CCL	white																																																																
<b>CCB</b>	CCL	black																																																																
<b>CCS</b>	CCL	silver																																																																
<b>FPL</b>	light gray																																																																	
<b>FPD</b>	dark gray																																																																	
<b>FPB</b>	blue																																																																	
<b>FPG</b>	green																																																																	
<b>FPY</b>	yellow																																																																	
<b>FPR</b>	red																																																																	
<b>FSL</b>	light gray																																																																	
<b>FSD</b>	dark gray																																																																	
<b>FSB</b>	blue																																																																	
<b>FSG</b>	green																																																																	
<b>FSY</b>	yellow																																																																	
<b>FSR</b>	red																																																																	

### Modify & Customize\*

**MOD** indicates a modification to standard spec attributes

**CSM** indicates a customized feature

standard: RP-UP-DN - 96 - SO - 935 - DIM - SPC - BLK - BCC - FPD

modified Lm: **MOD** - RP-UP-DN - 60 - **MD16000LM** - 840 - DIM - MCC - ASL - SCC - RMT

custom ring Ø: **CSM** - RP-UP-DN - **42/67/95** - SO - 840 - DIM - MRC - WHT - WCC

\* **MOD/CSM** placed at the beginning of an order sequence



## LED

**SO** Standard output static white LED is equal to the delivered lumens for model listings defined in the table to the right. Standard white LED choices are 3000-4000 °K. Consult factory for additional options within range 2200-6500 °K.

**HO** High output static white LED is equal to the delivered lumens for model listings defined in the table to the right

**MD** Modify output within standard range in 5% increments up to 1125 lm/linear ft.

**TW** Tunable White is programmable between 2700-6500 °K

**WD** Warm Dim ranges between 2200-3500 °K

**RGBW30 | RGBW35 | RGBW40** RGB + White LED lumen output is the same as static white LED as shown in the table

(consult factory for MD, TW, WD, and RGB+W options)

Fixture Ø (in.)	Max Weight	Sections per Ring	Standard Output		High Output	
			Lumens	Watts	Lumens	Watts
<b>24</b>	10 lbs	1	3,536	37	7,065	75
<b>36</b>	15 lbs	1	5,303	56	10,598	112
<b>48</b>	20 lbs	1	7,071	75	14,130	149
<b>60</b>	25 lbs	1	8,839	93	17,663	186
<b>72</b>	30 lbs	1	10,607	112	21,195	224
<b>84</b>	35 lbs	3	12,375	131	24,728	261
<b>96</b>	40 lbs	3	14,134	149	28,260	298
<b>120</b>	50 lbs	6	17,678	186	35,325	373
<b>144</b>	60 lbs	6	21,214	224	42,390	447
<b>168</b>	70 lbs	6	24,749	261	49,455	522
<b>192</b>	80 lbs	8	28,285	298	56,520	596
<b>240</b>	100 lbs	8	35,356	373	70,650	745

## Driver

Drivers are integral, Class 2 constant current, Universal and include two-wire 0 -10 V dimming, 1-100%.

Delivered lumen output values can be programmed to lower values than shown in 5% increments.

Consult factory for DMX commissioning with RGB+W and for DALI dimming control options.

Remote and backup battery options are available (p.7).

### 120-277 VAC

<b>DIM</b>	0-10 V/1%
<b>DIM.1</b>	0-10 V/.1%
<b>DAL</b>	DALI
<b>DMX</b>	Digital Multiplex (consult factory)

### 120 VAC

<b>TRC</b>	TRIAC/ ELV
------------	------------

## SPC Standard Mounting Details

Fixture Ø (in.)	Mounting Points	Ø 2" Non-Power Canopy Qty	Standard Output			High Output		
			Power Feed Canopy Qty	Power Feed Canopy Size	Power Cord Qty	Power Feed Canopy Qty	Power Feed Canopy Size	Power Cord Qty
<b>24</b>	3	2	1	5" x .25"	1	1	5" x .25"	1
<b>36</b>	3	2	1	5" x .25"	1	1	5" x .25"	1
<b>48</b>	3	2	1	5" x .25"	1	1	5" x .25"	1
<b>60</b>	3	2	1	5" x .25"	1	1	5" x .25"	1
<b>72</b>	3	2	1	5" x .25"	1	1	5" x .25"	1
<b>84</b>	6	5	1	5" x .25"	1	1	5" x .25"	1
<b>96</b>	6	5	1	5" x .25"	1	1	5" x .25"	1
<b>120</b>	6	5	1	5" x .25"	1	1	5" x .25"	1
<b>144</b>	6	5	1	5" x .25"	1	1	5" x .25"	1
<b>168</b>	6	5	1	5" x .25"	1	1	5" x .25"	1
<b>192</b>	8	7	1	5" x .25"	1	1	5" x .25"	1
<b>240</b>	8	7	1	5" x .25"	1	1	5" x .25"	1

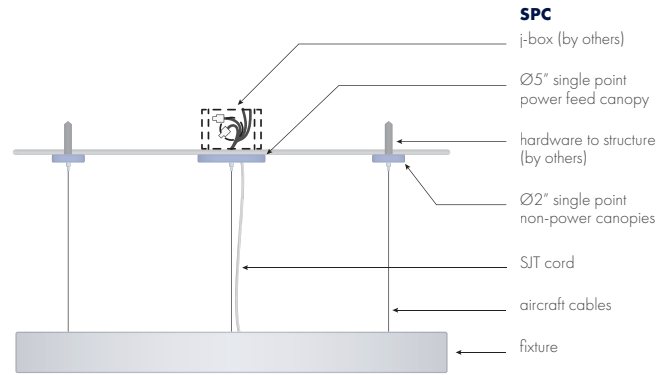


## Standard Mounting

### SPC (single point canopy)

Rings are suspended with straight, 100" field adjustable aircraft cables individually attached to single point Ø2" non-power canopies and a power feed canopy.

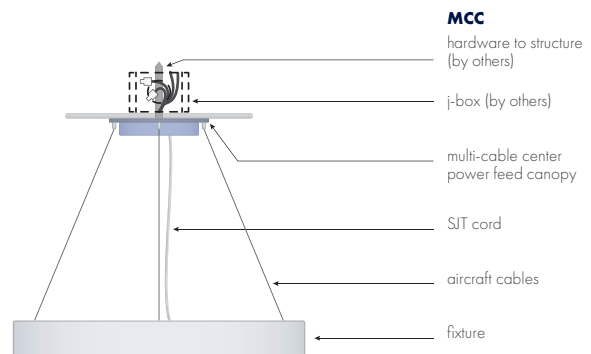
Consult factory for custom mounting options



### MCC (multi-cable center canopy)

Rings are suspended with multiple angled, 100" field adjustable aircraft cables attached to a central power feed canopy. Cable angle should not be greater than 45° (see diagram).

Consult factory for ring diameters greater than 96".



MCC Standard Mounting Details

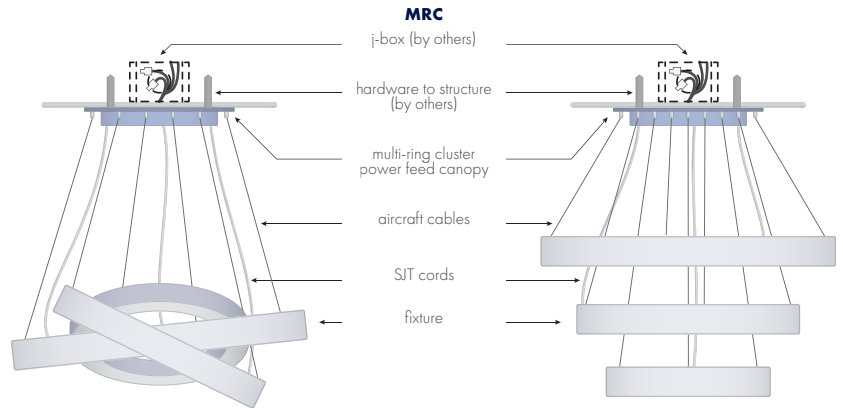
Fixture Ø (in.)	AC Cable Qty	Min Hang Hight (over 45°)	Standard Output		High Output	
			Canopy Size	Power Cord Qty	Canopy Size	Power Cord Qty
<b>24</b>	3	3"	5" x .25"	1	5" x .25"	1
<b>36</b>	3	9"	5" x .25"	1	5" x .25"	1
<b>48</b>	3	15"	5" x .25"	1	5" x .25"	1
<b>60</b>	3	21"	9" x 1.5"	1	9" x 1.5"	1
<b>72</b>	3	27"	9" x 1.5"	1	9" x 1.5"	1
<b>84</b>	6	33"	9" x 1.5"	1	9" x 1.5"	1
<b>96</b>	6	39"	13" x 2"	1	13" x 2"	1

Drawings not to scale

## MRC (multiple ring cluster)

Elegant rings dynamically suspend from a central canopy in custom, eye-catching arrangements. 100" field adjustable aircraft cables allow for on-site angle adjustments.

Consult our factory for required submittals.

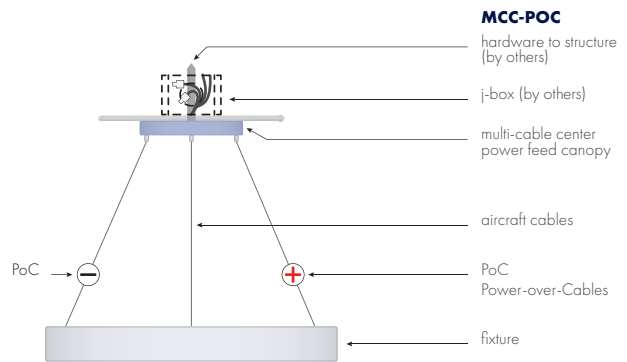


## MCC-POC (power-over-cable)

We use a powered suspension system to suspend and power Class 2 LED lighting fixtures with a thin cable, providing a refined, modern look without the need for a separate power cord.

The number of PoC cables on each ring depends on fixture size and lumen requirements. Consult factory for required submittals.

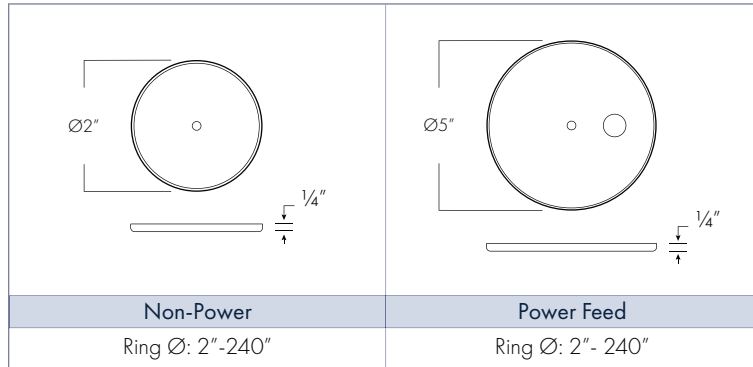
The diagram to the right illustrates MCC-PoC. Consult factory for SPC-PoC and MRC-PoC.



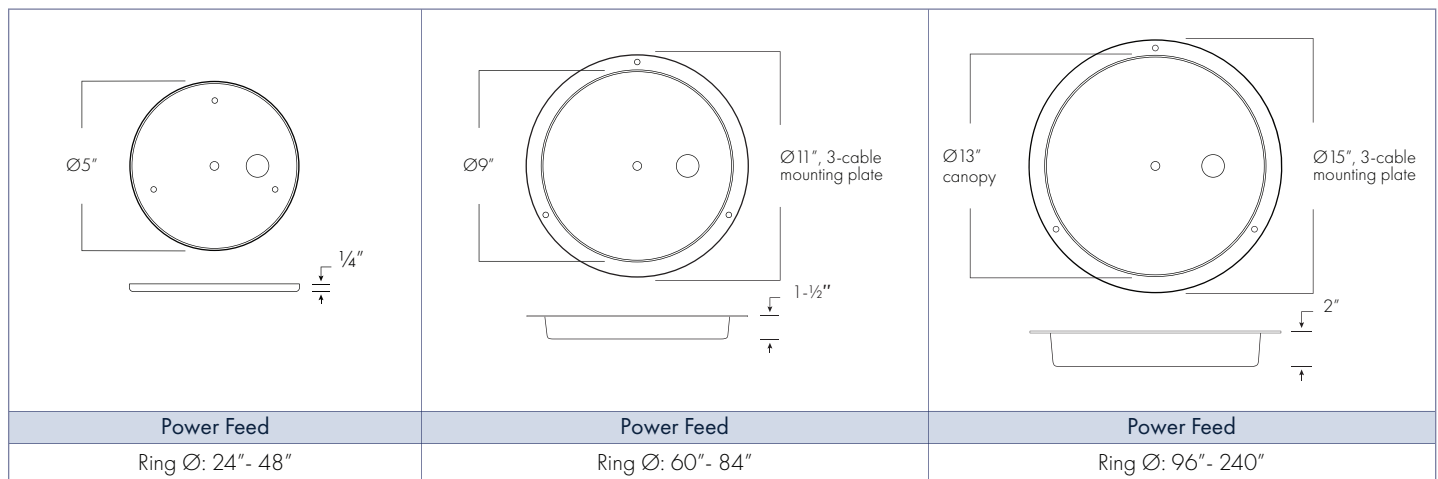
Drawings not to scale

## Canopies

### SPC (single point canopies)

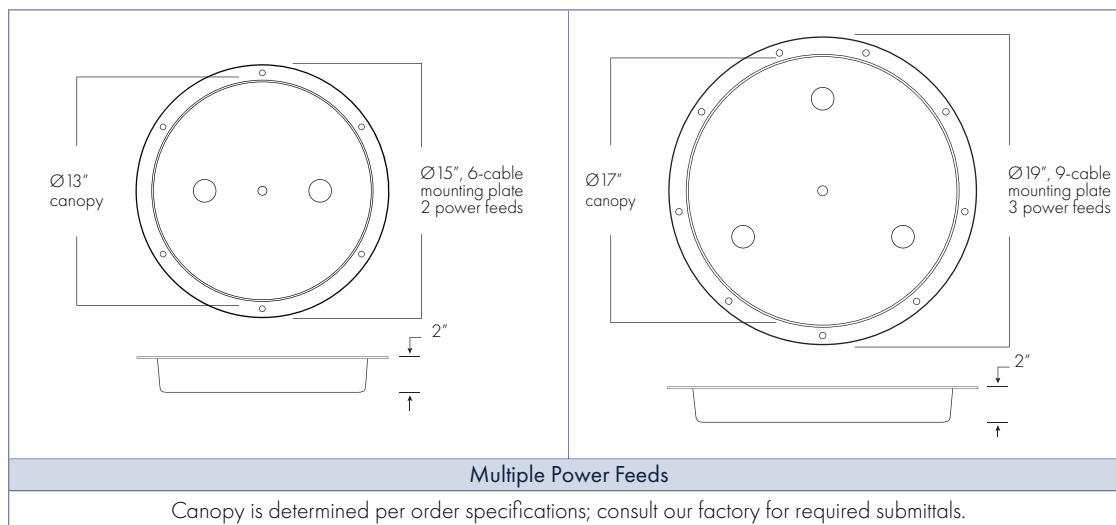


### MCC (multi-cable center canopies)



MCC canopy illustrations are shown with 3-cable mounting plates, please note Ø greater than 72" will have 6-cable mounting plates.

### MRC (multi-ring canopies)



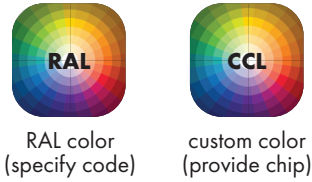
Drawings not to scale

## Fixture Finish

### Powder Coat (standard colors)



### Powder Coat (color match)



### Wood Grain (covers inner and outer walls)



### Vinyl Skin (covers inner and outer walls)

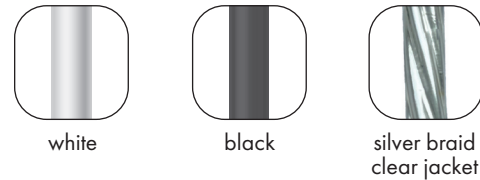


## Canopy | Cord Finish

Canopy finish options include powder coat in standard or custom colors. When RAL or custom colors are applied to fixtures, canopies may be custom finished to match. 4-digit RAL color code or color chip must be provided.

While choosing a canopy finish, choose a power cord color.

### SJT Cord



Standard	Canopy	Cord
<b>WCC</b>	white	white
<b>BCC</b>	black	black
<b>SCC</b>	silver	silver
<b>MBC</b>	white	silver

RAL	Canopy	Cord
<b>RCW</b>	RALX	white
<b>RCB</b>	RALX	black
<b>RCS</b>	RALX	silver

Custom	Canopy	Cord
<b>CCW</b>	CCL	white
<b>CCB</b>	CCL	black
<b>CCS</b>	CCL	silver

Match with RAL (**RALX**) or custom color (**CCL**) fixtures

## Options

### RMT (remote driver)

Remote driver is mounted to an aluminum plate (by Lumos) to be placed inside an electrical enclosure (by others).

### RMT-BBU

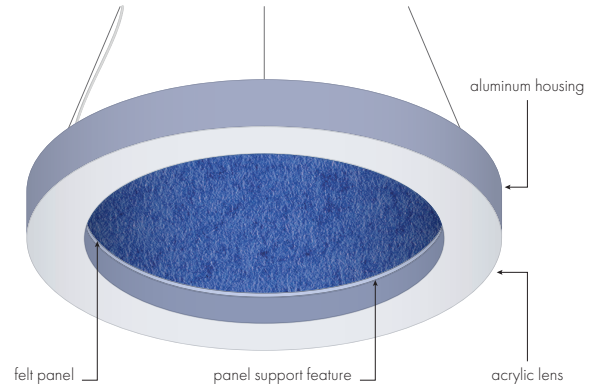
Emergency backup battery is connected to each driver, which operates for 90 minutes. Test switch and LED indicator included. When RMT-BBU is selected, batteries and drivers are mounted to an aluminum plate (by Lumos).

DIM, DIM.1, DALI drivers are rated 120-277 VAC; TRIAC/ELV drivers are rated 120 VAC.

Drawings not to scale  
Colors shown here are approximations

## Acoustic Options

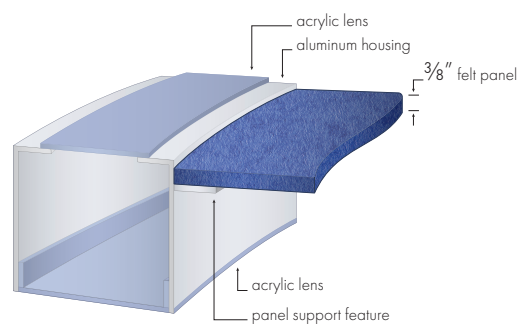
Our rings can be transformed into acoustical absorbing luminaires to help reduce sound reflections and reverberations in a room. Design options combine light with acoustical absorbent felt to improve the overall sound quality and appearance of a space. The felt absorbs sound waves, reducing echo and enhancing speech intelligibility, while the light source provides illumination.



## Panel

Durable 3/8" thick felt panel centered in ring. Made from 60% recycled PET fiber with NRC .30.

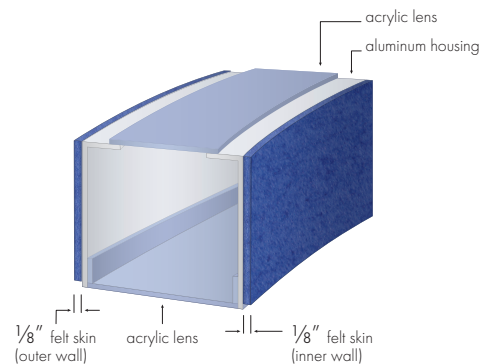
Panel absorber can be combined with Skin absorber.



## Skin

Inner and outer walls of ring are covered with 1/8" thick felt made from 100% post-consumer recycled polyester fiber with NRC .70.

Skin absorber can be combined with Panel absorber.



Drawings not to scale  
Colors shown here are approximations