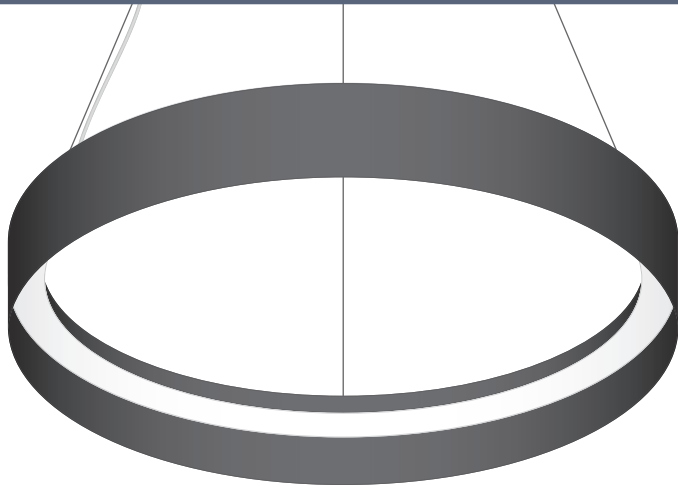
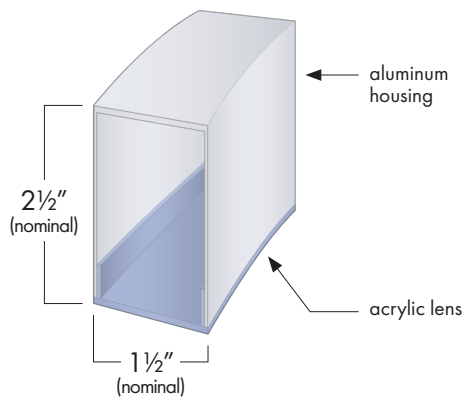




MODERN SLIMLINE RING WITH
DIRECT, GLARE-FREE BRILLIANCE



shown with EXTOW option



Features

- Diameter:** 24" to 120" (nominal)
- Output:** 54 LPW
- Housing:** Aluminum
- Lens:** Transmissive, frosted acrylic
- Mounting:** Pendant or surface
- Driver:** Inside canopy or remote
- Weight:** 3 lb/ft
- Certification:** UL listed for damp location use
- Warranty:** 5-year limited warranty
- Photometry:** Third-party photometric report and IES files on the website

- Power-over-Cable option
- Mounting for multi-ring clusters
- RGB+W in standard lumen output range
- Acoustic options available

Project: _____ Type: _____ Date: _____

Order: _____

Example: RPM-DN - RNG - 96 - HO - 840 - DIM - MCC - ASL - MBC - FPL

Order Guide



SQU square	24
RCT rectangle	36
HEX hexagon	48
TRI triangle	60
RNG ring	72
DIA diamond	84
STR straight	96
ARC* arc	120
FFS* free form shape	X" x X"
PIL* pill	
Y* Y shape	

SO	standard 322 lm/linear ft
HO	high 645 lm/linear ft
MD	modify lumens and watts (consult factory)

Static White		
830	CRI >80	3000°K
835	CRI >80	3500°K
840	CRI >80	4000°K
930	CRI >90	3000°K
935	CRI >90	3500°K
940	CRI >90	4000°K

Dynamic White		
TW	tunable white	2700-6500°K
WD	warm dim	2200-3500°K

Red, Green, Blue + White		
RGBW30	RGB+W	3000°K
RGBW35	RGB+W	3500°K
RGBW40	RGB+W	4000°K
(consult for TW, WD & RGB+W)		

120-277 VAC	
DIM	0-10 V/1%
DIM.1	0-10 V/.1%
DAL	DALI
DMX	Digital Multiplex (consult factory)

120 VAC	
TRC	TRIAC/ ELV

Pendant	
SPC	single point canopies
MCC	multi-cable center canopy (consult for Ø > 96")
MRC	multi-ring cluster (consult for submittals)

Power-over-Cable (PoC)	
MCC-POC	Power-over-Cable with multi-cable center canopy (consult for submittals)

Surface	
SRF	surface mount



Powder Coat	
WHT	matte white
BLK	matte black
ASL	anodized silver
GRY	matte gray (RAL 7035)
RALX	matte RAL color X=code (specify)
CCL	custom color (provide chip)
Wood Grain	
WG1	ash
WG2	teak
WG3	walnut
WG4	zebrawood
Skin	
CFS	carbon fiber

Powder Coat		
Standard	Canopy Color	Cord Color
WCC	white	white
BCC	black	black
SCC	silver	silver
MBC	white	silver
RAL		
RCW	RALX	white
RCB	RALX	black
RCS	RALX	silver
Custom		
CCW	CCL	white
CCB	CCL	black
CCS	CCL	silver

RMT	remote driver
BBU	remote battery backup with remote driver
EXTIW	extend inner wall to 4"OAH
EXTOW	extend outer wall to 4"OAH

Panel*	
FPL	light gray
FPD	dark gray
FPB	blue
FPG	green
FPY	yellow
FPR	red
*max Ø = 96"	

Skin	
FSL	light gray
FSD	dark gray
FSB	blue
FSG	green
FSY	yellow
FSR	red

Modify & Customize *

MOD	indicates a modification to standard spec attributes
CSM	indicates a customized feature
standard:	RPM-DN-RNG-96-SO-935-DIM-SRF-BLK-BCC-FPD
modified Lm:	MOD - RPM-DN-RNG-60- MD10000LM -840-DIM-MCC-ASL-SCC-RMT
custom ring Ø:	CSM - RPM-DN-RNG- 42/67/95 -SO-840-DIM-MRC-WHT-WCC

***MOD/CSM** placed at the beginning of an order sequence



LED

SO Standard output static white LED is equal to the delivered lumens for model listings defined in the table to the right. Standard white LED choices are 3000-4000 °K. Consult factory for additional options within range 2200-6500 °K.

HO High output static white LED is equal to the delivered lumens for model listings defined in the table to the right

MD Modify output within standard range in 5% increments up to 645 lm/linear ft.

TW Tunable White is programmable between 2700-6500 °K

WD Warm Dim ranges between 2200-3500 °K

Fixture Ø (in.)	Max Weight	Sections per Ring	Standard Output		High Output	
			Lumens	Watts	Lumens	Watts
24	5 lbs	1	2,022	37	4,051	75
36	7 lbs	1	3,033	56	6,076	112
48	9 lbs	1	4,044	74	8,101	149
60	11 lbs	1	5,055	93	10,127	186
72	14 lbs	1	6,066	112	12,152	224
84	16 lbs	3	7,078	130	14,177	261
96	18 lbs	3	8,089	149	16,202	298
120	23 lbs	6	10,111	186	20,253	373

RGBW30 | RGBW35 | RGBW40 RGB + White LED lumen output is the same as static white LED as shown in the table

(consult factory for MD, TW, WD, and RGB+W options)

Driver

Drivers are integral, Class 2 constant current, Universal and include two-wire 0 - 10 V dimming, 1-100%.

Delivered lumen output values can be programmed to lower values than shown in 5% increments.

Consult factory for DMX commissioning with RGB+W and for DALI dimming control options.

Remote and backup battery options are available (p.8).

120-277 VAC

DIM	0-10 V/.1%
DIM.1	0-10 V/.1%
DAL	DALI
DMX	Digital Multiplex (consult factory)

120 VAC

TRC	TRIAC/ELV
------------	-----------

SPC Standard Mounting Details

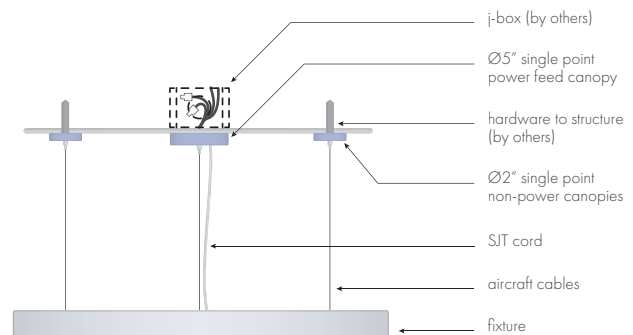
Fixture Ø (in.)	Mounting Points	Ø 2" Non-Power Canopy Qty		Standard Output			High Output		
		SO	HO	Power Feed Canopy Qty	Power Feed Canopy Size	Power Cord Qty	Power Feed Canopy Qty	Power Feed Canopy Size	Power Cord Qty
24	3	2	2	1	9"x1.5"	1	1	9"x1.5"	1
36	3	2	2	1	9"x1.5"	1	1	9"x1.5"	1
48	3	2	2	1	9"x1.5"	1	1	13"x2"	1
60	3	2	2	1	9"x1.5"	1	1	13"x2"	2
72	3	2	2	1	9"x1.5"	1	1	13"x2"	2
84	6	5	5	1	13"x2"	1	1	13"x2"	2
96	6	5	5	1	13"x2"	1	1	13"x2"	2
120	6	4	4	2	13"x2"	2	2	13"x2"	2

Standard Mounting

SPC (single point canopy)

Rings are suspended with straight, 100" field adjustable aircraft cables individually attached to single point Ø2" non-power canopies and a power feed canopy.

Consult factory for custom mounting options



Drawings not to scale

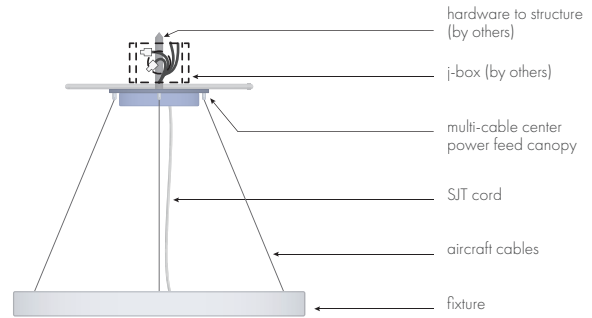
MCC (multi-cable center canopy)

Rings are suspended with multiple angled, 100" field adjustable aircraft cables attached to a central power feed canopy. Cable angle should not be greater than 45° (see diagram).

Consult factory for ring diameters greater than 96".

MCC Standard Mounting Details

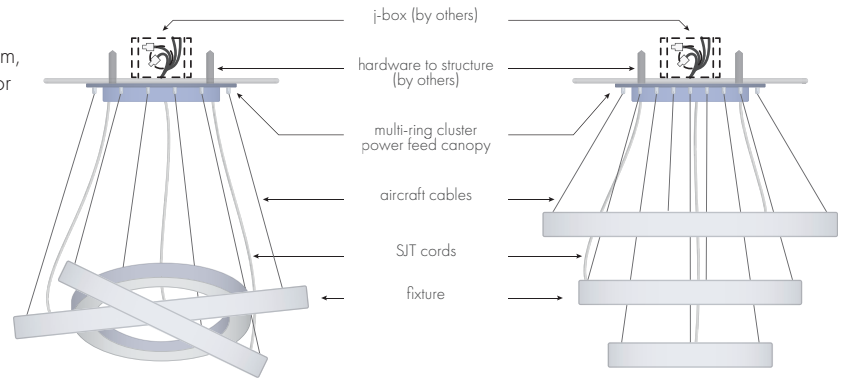
Fixture Ø (in.)	AC Cable Qty	Min Hang Hight (over 45°)	Standard Output		High Output	
			Canopy Size	Power Cord Qty	Canopy Size	Power Cord Qty
24	3	5"	9"x1.5"	1	9"x1.5"	1
36	3	11"	9"x1.5"	1	9"x1.5"	1
48	3	17"	9"x1.5"	1	13"x 2"	1
60	3	23"	9"x1.5"	1	13"x 2"	2
72	3	29"	9"x1.5"	1	13"x 2"	2
84	6	35"	13"x 2"	1	13"x 2"	2
96	6	41"	13"x 2"	1	13"x 2"	2



MRC (multiple ring cluster)

Elegant rings dynamically suspend from a central custom canopy in custom, eye-catching arrangements. 100" field adjustable aircraft cables allow for on-site angle adjustments.

Consult our factory for required submittals.

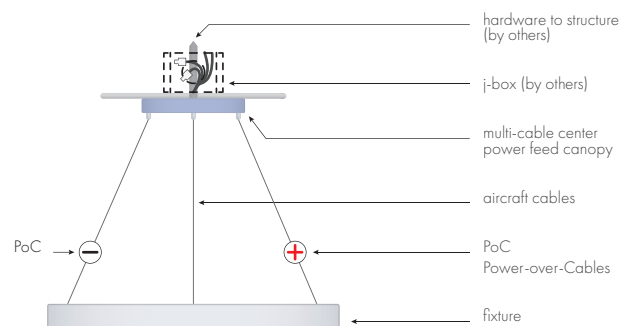


MCC-POC (power-over-cable)

We use a powered suspension system to suspend and power Class 2 LED lighting fixtures with a thin cable, providing a refined, modern look without the need for a separate power cord.

The number of PoC cables on each ring depends on fixture size and lumen requirements. Consult factory for required submittals.

The diagram to the right illustrates MCC-PoC. Consult factory for SPC-PoC and MRC-PoC.

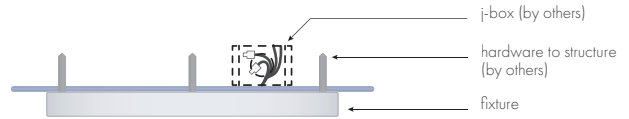


Drawings not to scale

Standard Mounting

SRF (surface mounted)

Luminaire is fastened flush to mounting structure.



Canopies

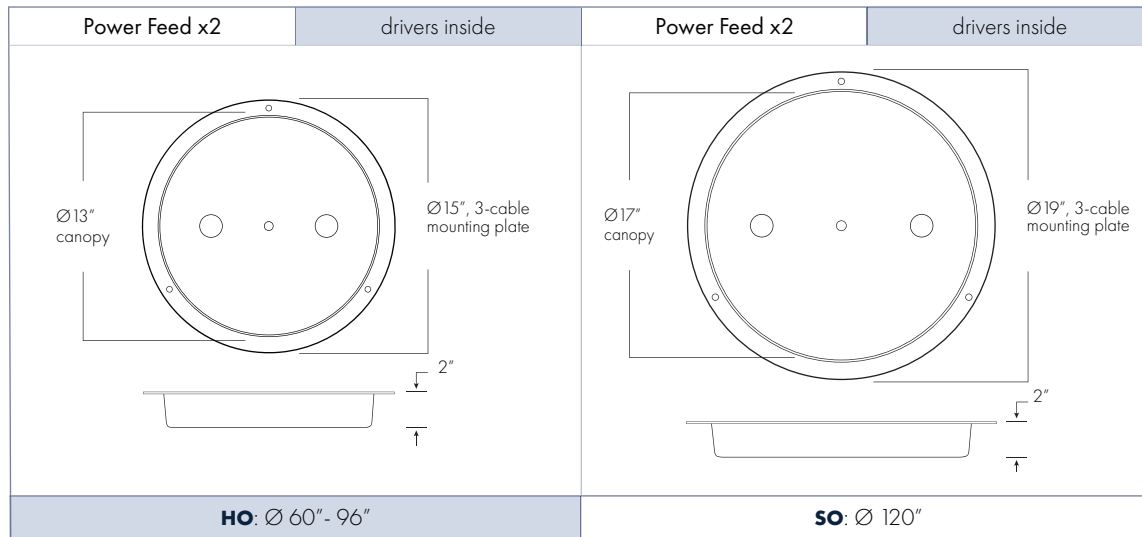
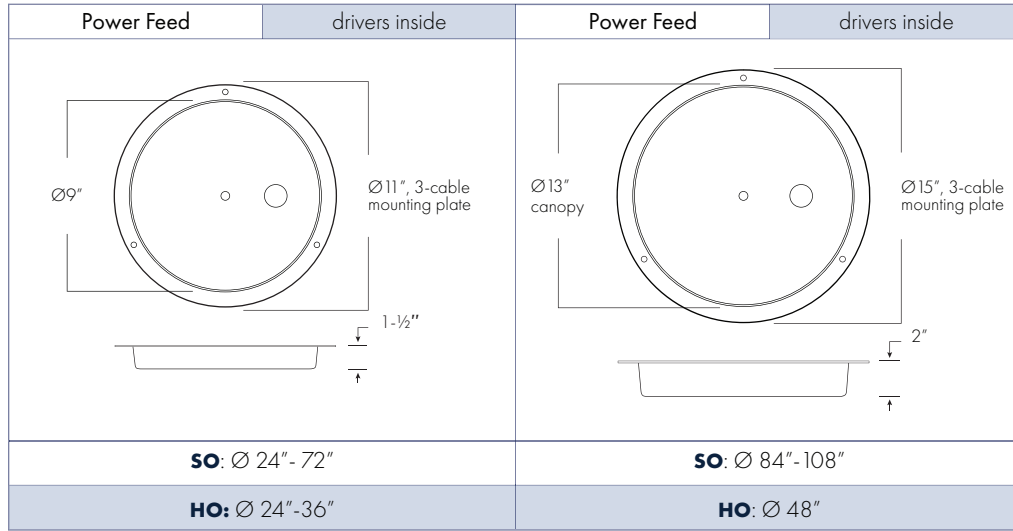
SPC (Single Point Canopies)

Non-Power	mounting canopy	Power Feed	drivers inside	Power Feed x2	drivers inside
SO: Ø 24" - 120"		SO: Ø 24" - 72"		SO: Ø 120"	
HO: Ø 24" - 120"		HO: Ø 24" - 36"			

Power Feed	drivers inside	Power Feed x2	drivers inside
SO: Ø 84" - 96"		HO: Ø 60" - 96"	
HO: Ø 48"			

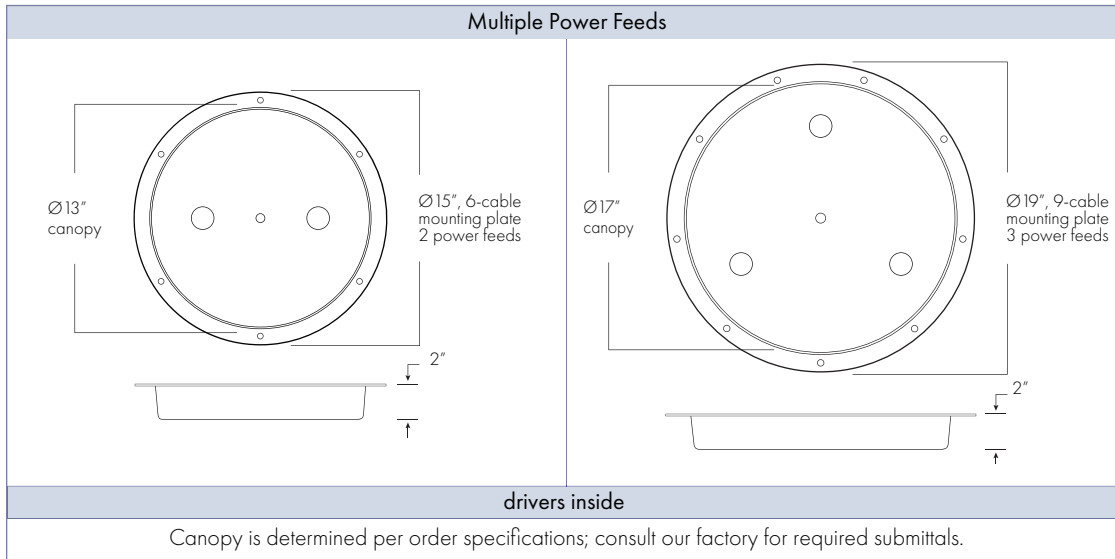
Drawings not to scale

MCC (Multi-Cable Center Canopies)



Drawings not to scale

MRC (Multi-Ring Canopies)



Fixture Finish

Powder Coat (standard colors)



Powder Coat (color match)



Wood Grain (covers inner and outer walls)



Vinyl Skin (covers inner and outer walls)

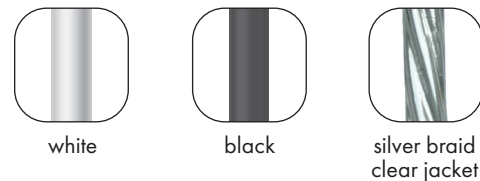


Canopy | Cord Finish

Canopy finish options include powder coat in standard or custom colors. When RAL or custom colors are applied to fixtures, canopies may be custom finished to match. 4-digit RAL color code or color chip must be provided.

While choosing a canopy finish, choose a power cord color.

SJT Cord



Standard	Canopy	Cord
WCC	white	white
BCC	black	black
SCC	silver	silver
MBC	white	silver

RAL	Canopy	Cord
RCW	RALX	white
RCB	RALX	black
RCS	RALX	silver

Custom	Canopy	Cord
CCW	CCL	white
CCB	CCL	black
CCS	CCL	silver

Match with RAL (**RALX**) or custom color (**CCL**) fixtures

Drawings not to scale
Colors shown here are approximations

Options

RMT (remote driver)

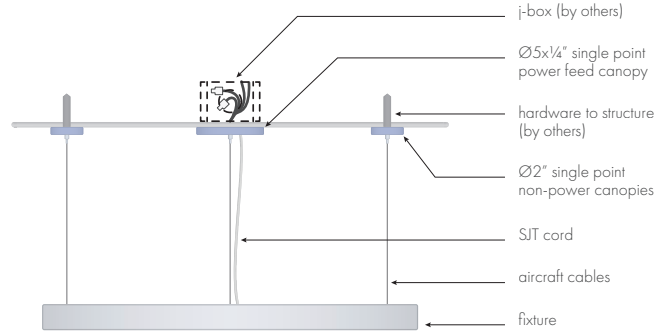
Remote driver is mounted to an aluminum plate (by Lumos) to be placed inside an electrical enclosure (by others).

The diagram to the right illustrates single point canopy mounting (SPC) with remote option (RMT).

BBU

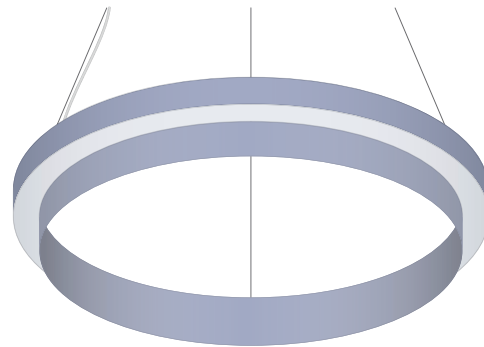
Emergency backup battery is connected to each driver, which operates for 90 minutes. Test switch and LED indicator included. When BBU is selected, batteries and drivers are mounted to an aluminum plate (by Lumos).

DIM, DIM.1, DALI drivers are rated 120-277 VAC; TRIAC/ELV drivers are rated 120 VAC.



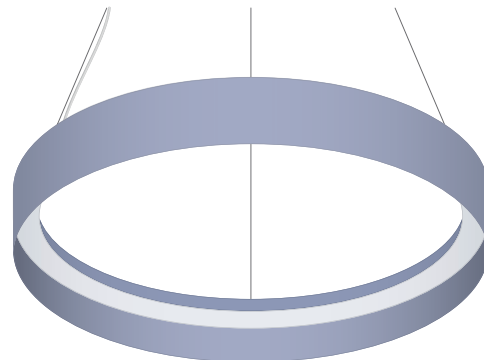
EXTIW

Ring's inner wall is extended to 4" OAH



EXTOW

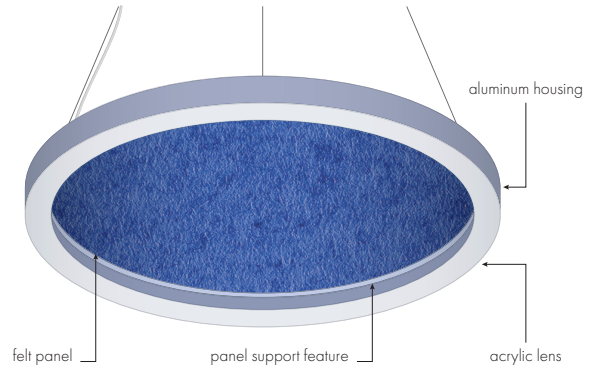
Ring's outer wall is extended to 4" OAH



Drawings not to scale

Acoustic Options

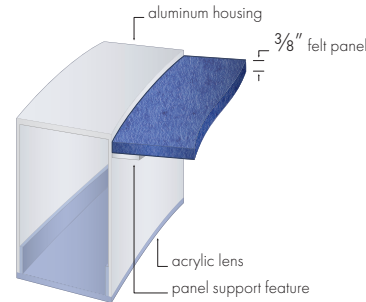
Our rings can be transformed into acoustical absorbing luminaires to help reduce sound reflections and reverberations in a room. Design options combine light with acoustical absorbent felt to improve the overall sound quality and appearance of a space. The felt absorbs sound waves, reducing echo and enhancing speech intelligibility, while the light source provides illumination.



Panel

Durable 3/8" thick felt panel centered in ring. Made from 60% recycled PET fiber with NRC .30.

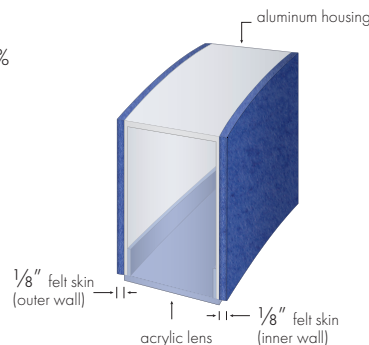
Panel absorber can be combined with Skin absorber.



Skin

Inner and outer walls of ring are covered with 1/8" thick felt made from 100% post-consumer recycled polyester fiber with NRC .70.

Skin absorber can be combined with Panel absorber.



Drawings not to scale
Colors shown here are approximations