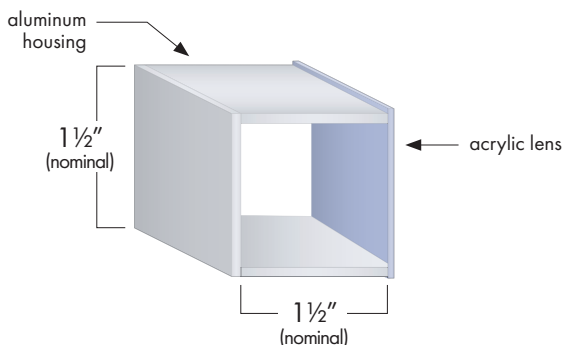




ULTRA-SLIM TRIANGLE WITH EQUAL SIDES & ILLUMINATED INNER WALL



Features

Side Lengths: 12" - 48" (equal sides, nominal)

Output: 93 LPW

Housing: Formed aluminum

Lens: Transmissive, frosted acrylic

Mounting: Pendant or surface

Driver: In canopy or remote

Weight: 1 lb/linear ft

Certification: UL listed for damp location use

Warranty: 5-year limited warranty

Photometry: Contact factory

- Power-over-Cable option
- Mounting option for multi-triangle clusters
- RGB+W in standard lumen output range

Project: _____ Type: _____ Date: _____

Order: _____

Example: TRI-IWL - 48 - SO - 935 - DIM - SPC - BLK - BCC

Order Guide



12
24
36
48

3 equal sides
(nominal)

SO standard
549 lm/linear ft

HO high
1098 lm/linear ft

MD modify lumens
and watts
(consult factory)

Static White

830 CRI >80 3000°K
835 CRI >80 3500°K
840 CRI >80 4000°K
930 CRI >90 3000°K
935 CRI >90 3500°K
940 CRI >90 4000°K

Dynamic White

TW tunable white
2700-6500°K

WD warm dim
2200-3500°K

(consult for TW & WD)

Red, Green, Blue + White

RGBW30 RGB+W 3000°K
RGBW35 RGB+W 3500°K
RGBW40 RGB+W 4000°K

(consult for RGB+W)

DIM 0-10 V/1%

DIM.1 0-10 V/.1%

TRC TRIAC/ ELV

DAL DALI

DMX Digital Multiplex
(consult factory)

Drivers rated 120-277 VAC



Pendant

SPC single point canopies

MCC multi-cable center canopy

MRC multi-triangle cluster
(consult for submittals)

Power-over-Cable (PoC)

MCC-POC PoC with multi-cable
center canopy
(consult for submittals)

Surface

SRF surface mount
(includes Ø5" j-box cover
plate; specify finish in SRF
section of Canopy Finish)

Powder Coat

WHT white

BCC black

ASL anodized silver

GRY matte gray
(RAL7035)

RALX matte RAL color
(X=code; specify)

CCL custom color
(provide chip)

Powder Coat

Standard	Canopy Color	Cord Color
WCC	white	white
BCC	black	black
SCC	silver	silver
MBC	white	silver
RAL		
RCW	RALX	white
RCB	RALX	black
RCS	RALX	silver
Custom		
CCW	CCL	white
CCB	CCL	black
CCS	CCL	silver
SRF*	Cover Plate Color	
CPW	white	
CPB	black	
CPS	silver	
CPRX	RALX	
CPC	CCL	

RMT remote driver

BBU remote battery backup
with remote driver

*SRF options apply to surface mounting

Modify & Customize *

MOD indicates a modification to standard spec attributes

CSM indicates a customized feature

modified lm: **MOD** - TRI-IWL - 36 - **MD350LM** - DIM - MCC - ASL - MBC - RMT

custom lengths: **CSM** - TRI-IWL - **30/20/30** - 840 - DIM - MRC - WHT - WCC

* **MOD/CSM** placed at the beginning of an order sequence

